



GREAT ESCAPE

Safety Guide & Assembly Instructions



PS 73751



PS 73752



PS 73753



PS 73755



We're Here To Help!

Call Toll Free **1-888-752-9782**
Customer Service: Monday - Friday, 8:00 A.M. to 5:00 P.M. C.S.T.

SAFETY

- This product is intended for single-family residential use only, by children ages two to ten and a maximum weight of 105 pounds. Any recommendation over 10 years of age or 105 pounds exceeds the upper limits specified in the American Society for Testing and Materials (ASTM) Home Playground Safety Standard. In order for PlayStar to comply with the ASTM Standard, we cannot recommend anyone above these limits.
- It is a misuse of this product when installed or used in places of public assembly such as schools or parks.
- Follow the instructions provided, do not alter its design in any way.
- Construction requires at least two adults capable of heavy lifting.
- Thoroughly read all safety instructions before beginning.
- Children must remain clear of construction site until this product is properly installed and ready for use.
- Save these instructions in the event the manufacturer has to be contacted.

The Consumer Product Safety Commission provides the following consumer information for your Home Playground Equipment

Select Protective Surfacing

One of the most important things you can do to reduce the likelihood of serious head injuries is to install shock-absorbing protective surfacing under and around your play equipment. The protective surfacing should be applied to a depth that is suitable for the equipment height in accordance with ASTM F1292. There are different types of surfacing to choose from; whichever product you select, follow these guidelines:

NOTE: Do not install home playground equipment over concrete, asphalt, or any other hard surface. A fall onto a hard surface can result in serious injury to the equipment user. Grass and dirt are not considered protective surfacing because wear and environmental factors can reduce their shock absorbing effectiveness. Carpeting and thin mats are generally not adequate protective surfacing. Ground level equipment -- such as a sandbox, activity wall, playhouse or other equipment that has no elevated play surface -- does not need any protective surfacing.

Loose-Fill Materials

PlayStar Playsets require fall-height protection from eight feet.

- Maintain a minimum depth of 9 inches of loose-fill materials such as wood mulch / chips, engineered wood fiber (EWF), or shredded/recycled rubber mulch for

equipment up to 8 feet high. NOTE: An initial fill level of 12 inches will compress to about a 9-inch depth of surfacing over time. The surfacing will also compact, displace, and settle, and should be periodically refilled to maintain at least a 9-inch depth.

- Use containment, such as digging out around the perimeter and/or lining the perimeter with landscape edging. Don't forget to account for water drainage.
- Check and maintain the depth of the loose-fill surfacing material. To maintain the right amount of loose-fill materials, mark the correct level on play equipment support posts. That way you can easily see when to replenish and/or redistribute the surfacing.
- **Do not** install loose fill surfacing over hard surfaces such as concrete or asphalt.

Poured-In-Place Surfaces or Pre-Manufactured Rubber Tiles

You may be interested in using surfacing other than loose-fill materials -- like rubber tiles or poured-in-place surfaces.

- Installations of these surfaces generally require a professional and are not "do-it-yourself" projects.
- Review surface specifications before purchasing this type of surfacing. Ask the installer/manufacturer for a report showing that the product has been tested to the following safety standard: ASTM F1292 *Standard Specification for Impact Attenuation of Surfacing Materials within the Use Zone of Playground Equipment*. This report should show the specific height for which the surface is intended to protect against serious head injury.

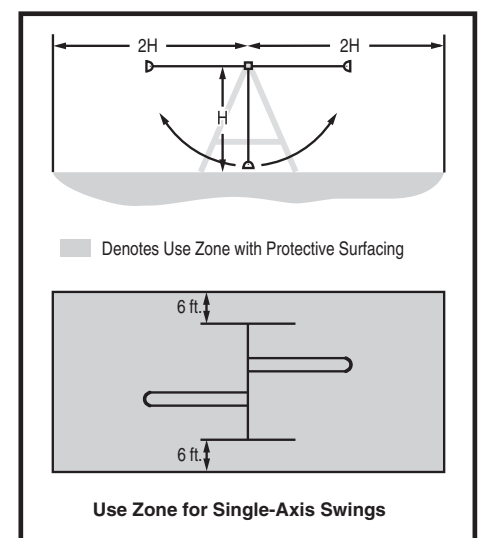
This height should be equal to or greater than the *fall height* - vertical distance between a designated play surface (*elevated surface for standing, sitting, or climbing*) and the protective surfacing below - of your play equipment.

- Check the protective surfacing frequently for wear.

Placement

Proper placement and maintenance of protective surfacing is essential. Be sure to;

- Extend surfacing at least 6 feet from the equipment in all directions.
- For to-fro swings, extend protective surfacing in front of and behind the swing to a distance equal to twice the height of the top bar from which the swing is suspended.



SAFETY

INSTALLATION:

1. Follow the instructions provided, do not alter its design in any way.
2. Place the playset on level ground, not less than 6' (1.8m) from any structure or obstruction such as a fence, garage, house, overhanging branches, laundry lines or electrical wires. If the area where you will be installing your playset is not level, you must make it level.
3. Playsets must be anchored to the ground. Follow the anchoring instructions provided with your building kit. If soil conditions permit anchors to be pulled out easily, such as in sandy soil conditions, cementing is required.
4. Tighten all bolts securely to the intended member then cut off all protruding threaded ends of bolts with a hack saw **flush to the end of the nut** and remove sharp edges with a metal file.

WARNING: Children must not use the playset until properly installed and proper shock-absorbing surfacing material is in place.

OPERATION: *Observing and following statements and warnings reduces the likelihood of serious or fatal injury.*

1. On-site adult supervision is recommended for children of all ages.

2. Only one child, for each single planned seat or single planned activity should be allowed on this set at one time, with a maximum weight of **105 pounds** for each child.

WARNING: You must teach children the following:

- A. **Not** to walk close to, in front of, behind, or between moving items.
- B. **Not** to twist swing chains or ropes or loop them over the top support bar since this may reduce the strength of the chain or rope.
- C. **Avoid** swinging empty seats.
- D. **To Sit** in the center of the swings with their full weight on the seats.
- E. **Not** to use the equipment in a manner other than intended.
- F. **Not** to get off equipment while it is in motion.
- G. **Not** to climb when equipment is wet.
- H. **Not** to attach items to the playground equipment that are not specifically designed for use with the equipment such as, but not limited to, jump ropes, clothesline, pet leashes, cables and chain as they may cause a strangulation hazard.
- I. **Remove** bike or other sports helmet before playing on the play equipment as the helmet may become entrapped in an enclosed opening and cause a strangulation hazard.

3. Verify that suspended climbing ropes are secured at both ends and that they cannot be looped back on themselves. (A rope that is not taut enough may cause a strangulation hazard.)
4. Dress children appropriately. Provide well fitting shoes. Avoid ponchos, scarves, and other loose-fitting clothing which is potentially hazardous while using equipment.
5. Verify that all suspended swinging components have at least 8" clearance between the lowest point of component and top of shock-absorbing surfacing material.

WARNING: Lawn swings are designed for use by children two years of age and older. Use by children under the age of two can result in entrapment between the seat and backrest. **NEVER** place children in a rearward facing position or with legs between the seat and backrest because the child's body may pass through the opening causing entrapment of the child's head.

DISPOSAL:

When the playset is to be retired from service, disassemble and dispose of in such a way that no unreasonable hazards will exist. Follow your local disposal requirements.

ANNUAL MAINTENANCE CHECKLIST

(Copy this section as needed and maintain for your records or visit www.playstarinc.com/maintenance)

At the beginning of play season: Date: _____

- Tighten all hardware.
- Lubricate all metallic moving parts per manufacturer's instructions.
- Check all protective coverings on bolts, pipes, edges, and corners. Replace if they are loose, cracked, or missing.
- Check all moving parts including swing seats, ropes, cables, and chains for wear, rust, or other deterioration. Replace as needed.
- Check metal parts for rust. If found, sand and repaint using a nonlead-based paint meeting the requirements of 16 CRF 1303.
- Check all wood members for deterioration and splinters. Sand down splinters and replace deteriorating wood members.
- Reinstall any plastic parts, such as swing seats or any other items that were removed for the cold season.
- Rake and check depth of loose fill protective surfacing materials to prevent compaction and to maintain appropriate depth. Replace as necessary.

Twice a month during play season: Date: _____

- Tighten all hardware.
- Check all protective coverings on bolts, pipes, edges, and corners. Replace if they are loose, cracked, or missing.
- Rake and check depth of loose fill protective surfacing materials to prevent compaction and to maintain appropriate depth. Replace as necessary.

Once a month during play season: Date: _____

- Lubricate all metallic moving parts per manufacturer's instructions.
- Check all moving parts including swing seats, ropes, cables, and chains for wear, rust, or other deterioration. Replace as needed.

At the end of each play season or when the temperature drops below 0° F: Date: _____

- Remove plastic swing seats and other items as specified by the manufacturer and take indoors or do not use.
- Rake and check depth of loose fill protective surfacing materials to prevent compaction and to maintain appropriate depth. Replace as necessary.

If any of these conditions exist, call 1-888-752-9782 for ordering information.
Clean plastic components with warm water and a mild detergent such as dish soap.

TOOLS REQUIRED

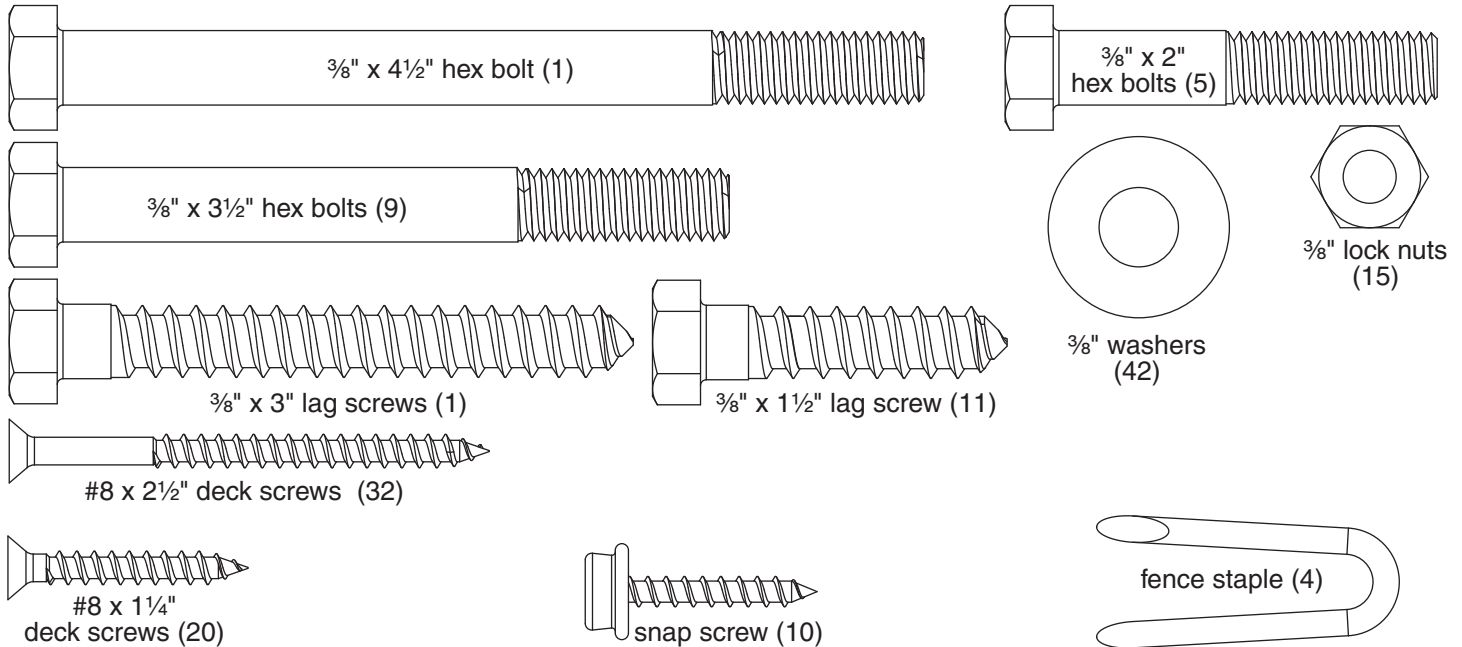
Level
Square
Pencil
Hammer

Adjustable Wrench
Socket Wrench
Drill

Screwdriver (regular or phillips)
Tape Measure
Safety Glasses

Sawhorses (optional)
Shovel
Ladder

HARDWARE INCLUDED (shown actual size)



Hardware quantities may vary depending on your design option.

TEMPLATE and DRILLING INSTRUCTIONS

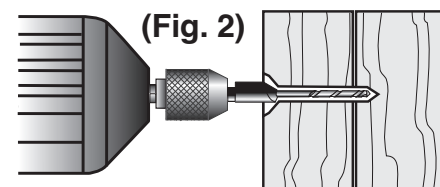
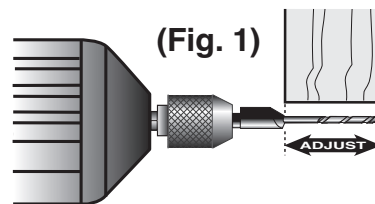
Set the drill bit depth in the $\frac{1}{8}$ " drill bit/countersink tool to the thickness of the board. (Fig. 1)

Drill locations as marked.

Warning: Do not countersink deeper than the depth of the screw head.

In the assembly instructions, you will be asked to attach pre-drilled boards with #8 x $2\frac{1}{2}$ " deck screws.

To make this process easier, use the pre-drilled boards as templates for drilling pilot holes into the second boards. (Fig. 2)

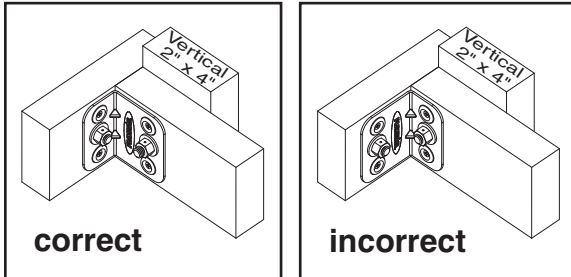


ATTACHING CORNER BRACKETS

There are steps in the assembly of your playset when you will be asked to attach “corner brackets”. Please review these diagrams to understand where to place the brackets, how to attach them, and what hardware to use.

POSITIONING THE BRACKETS:

The “corner bracket” has one long side and one short side. The holes on the long side of the bracket are placed so that when you position the bracket correctly, as directed throughout these instructions, the bolt will be almost centered in the middle of the vertical 2" x 4" when installed. (See diagram)



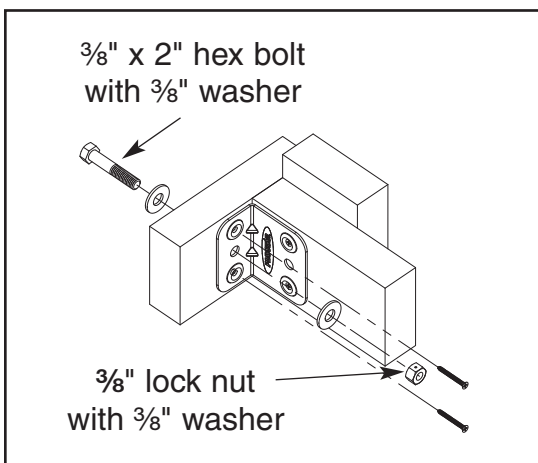
Caution: *If the bracket was flipped and the short side was against the double board when you drilled, the holes will be too close to the edge of the vertical 2" x 4".*

ATTACHING AND SECURING THE BRACKETS:

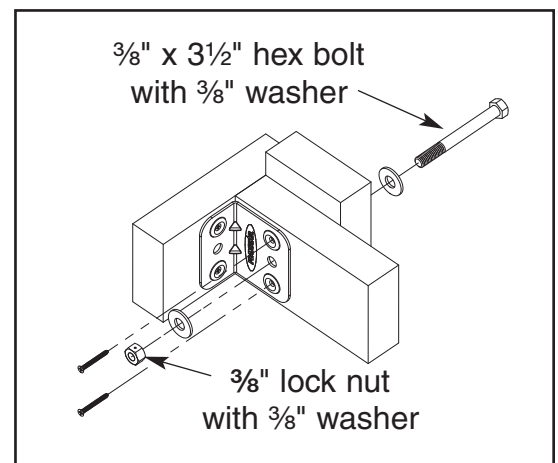
1. Hold bracket in position and use the bracket as a drill guide. Use a $\frac{1}{8}$ " drill bit and drill through the small holes 1" deep into the boards.
2. Attach the bracket with #8 x $1\frac{1}{4}$ " deck screws.
3. Again use the bracket as a drill guide. Use a $\frac{3}{8}$ " drill bit and drill through the large holes completely through the boards.
4. Secure the bracket with $\frac{3}{8}$ " hex bolts, $\frac{3}{8}$ " washers, and $\frac{3}{8}$ " lock nuts as shown.

Note: *You will use different length bolts to secure the corner brackets.*

- *If you drilled through one board you will need to use a $\frac{3}{8}$ " x 2" hex bolt.*
- *If you drilled through two boards you will need to use a $\frac{3}{8}$ " x $3\frac{1}{2}$ " hex bolt*
- *If you drilled through three boards you will need to use a $\frac{3}{8}$ " x $4\frac{1}{2}$ " hex bolt*



Securing through one board
use $\frac{3}{8}$ " x 2" hex bolt.



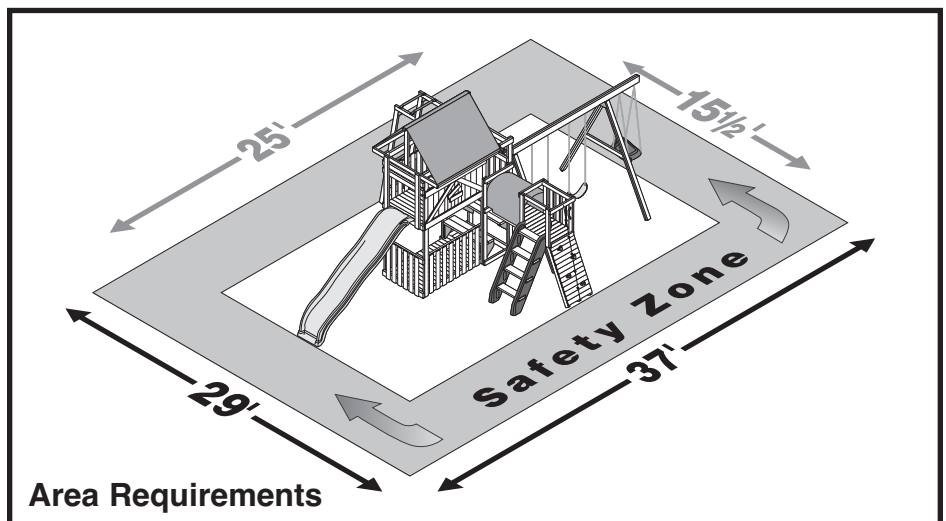
Securing through two boards
use $\frac{3}{8}$ " x $3\frac{1}{2}$ " hex bolt.

CONTENTS – Gold Design Option



Contents:

- 1 **Tower Assembly**
 - Picnic Table Assembly
 - 2 Play Handles
- 2 **Roof "T" Assemblies w/Tarp**
- 1 **Swing Beam**
 - (10' Left w/Air Rider Brackets)
- 1 **A-frame Assembly**
- 1 **Laminated Leg**
- 1 **Rock Wall Assembly (4 Rocks)**
- 1 **Bridge Tunnel Assembly**
 - w/2 Play Handles
- 1 **Tunnel (Green)**
- 1 **Climbing Bar Assembly**
- 1 **2" x 4" x 62½" board**
- 2 **2" x 4" x 58½" boards**
- 1 **2" x 4" x 28" board**
- 1 **Tube Slide w/Pre-assembled Base**
- 1 **Climbing Wall**
- 1 **Air Rider (Assembled)**
- 1 **Component Box - Includes:**
 - 1 Swing Assembly (Yellow)
 - 1 Gym Rings Assembly (Yellow)
 - 1 Telescope Assembly
 - 1 Twisted Rope
 - 12 Anchor Augers
 - 1 Sturdy-Frame Brace
 - 2 Corner Brackets
 - 1 Great Escape Hardware Bag
 - 1 Great Escape F-B Instruction



CONTENTS – Silver Design Option



Front View

Contents:

- 1 Tower Assembly
 - Picnic Table Assembly
 - 4 Play Handles
- 2 Roof "T" Assemblies w/Tarp
- 1 Swing Beam (10' Left)
- 1 A-frame Assembly
- 1 Laminated Leg
- 1 Rock Wall Assembly (4 Rocks)
- 1 Climbing Bar Assembly

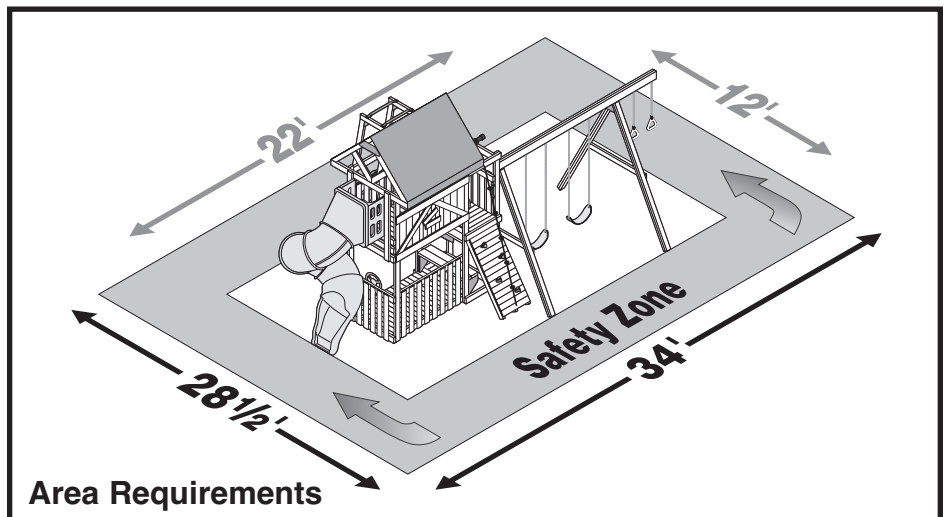
- 1 2" x 4" x 62½" board
- 2 2" x 4" x 58½" boards
- 1 2" x 4" x 28" board

- 1 Tube Slide w/Pre-assembled Base

- 1 Component Box - Includes:
 - 2 Swing Assembly (Yellow)
 - 1 Gym Rings Assembly (Yellow)
 - 1 Telescope Assembly
 - 1 Twisted Rope
 - 10 Anchor Augers
 - 1 Sturdy-Frame Brace
 - 2 Corner Brackets
 - 1 Great Escape Hardware Bag
 - 1 Great Escape F-B Instruction



Back View



Area Requirements

CONTENTS – Bronze Design Option



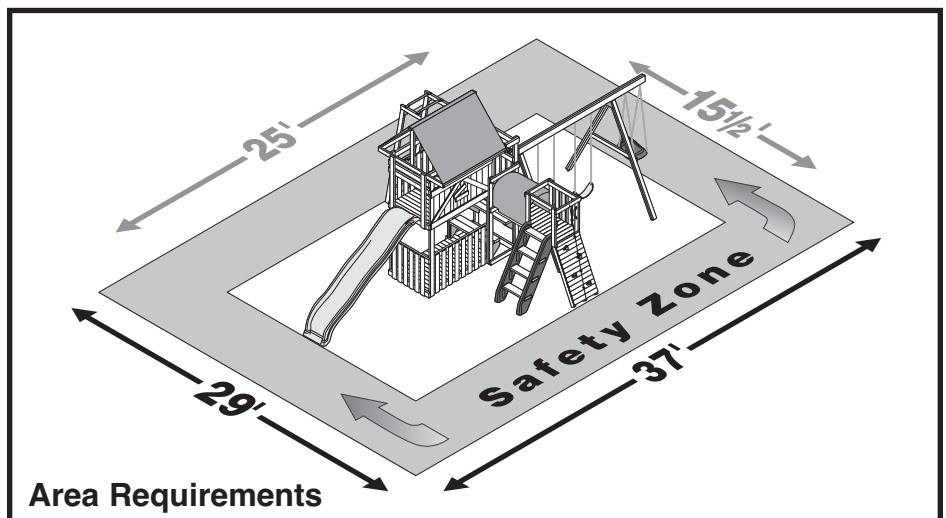
Contents:

- 1 Tower Assembly
 - Picnic Table Assembly
 - 2 Play Handles
- 2 Roof "T" Assemblies w/Tarp
- 1 Swing Beam (10' Left)
- 1 A-frame Assembly
- 1 Laminated Leg
- 1 Rock Wall Assembly (4 Rocks)
- 1 Bridge Tunnel Assembly
 - w/2 Play Handles
- 1 Tunnel (Green)
- 1 Climbing Bar Assembly

- 1 2" x 4" x 62½" board
- 2 2" x 4" x 58½" boards
- 1 2" x 4" x 28" board

- 1 Giant Scoop Wave Slide
- 1 Climbing Steps
- 1 Toddler Swing Assembly

- 1 Component Box - Includes:
 - 2 Swing Assembly (Yellow)
 - 1 Telescope Assembly
 - 1 Twisted Rope
 - 10 Anchor Augers
 - 1 Sturdy-Frame Brace
 - 2 Corner Brackets
 - 1 Great Escape Hardware Bag
 - 1 Great Escape F-B Instruction



CONTENTS – Starter Design Option



Contents:

1 Tower Assembly

- Picnic Table Assembly
- 4 Play Handles

2 Roof "T" assemblies w/Tarp

1 Swing beam (10' Left)

1 A-frame assembly

1 Post assembly

1 Rock Wall w/4 Rocks

1 Climbing Bar assembly

1 2" x 4" x 62½" board

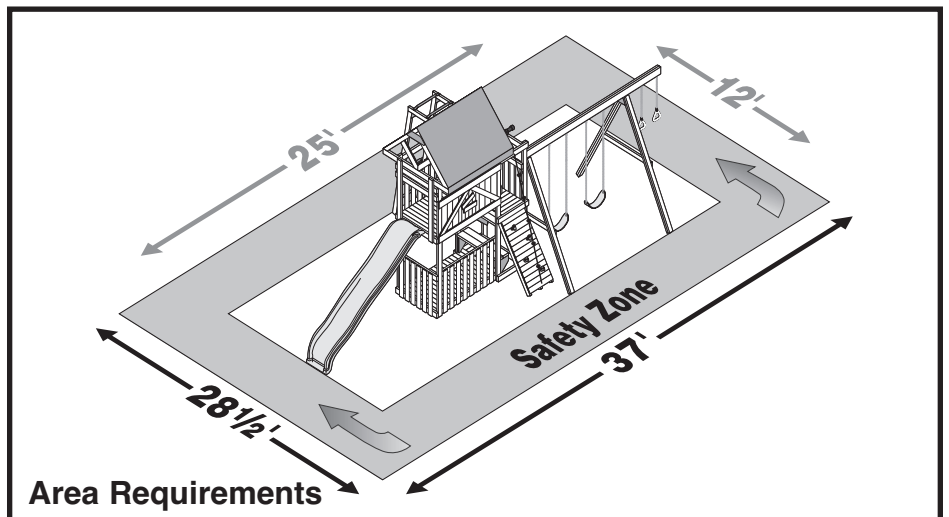
2 2" x 4" x 58½" boards

1 2" x 4" x 28" board

1 Giant Scoop Wave Slide

1 Component Box - Includes:

- 2 Swing Assembly (Yellow)
- 1 Gym Rings Assembly (Yellow)
- 1 Telescope Assembly
- 1 Twisted Rope
- 10 Anchor Augers
- 1 Sturdy-Frame Brace
- 2 Corner Brackets
- 1 Great Escape Hardware Bag
- 1 Great Escape F-B Instruction



Assembling Tarp Roof Frame to Tower

Items for STEP 1:

- (1) Tower assembly
- (12) Roof "T" assembly
- (12) #8 x 2½" deck screws
- (4) #8 x 1¼" deck screws
- (2) ⅜" x 1½" lag screws
- (2) ⅜" washers

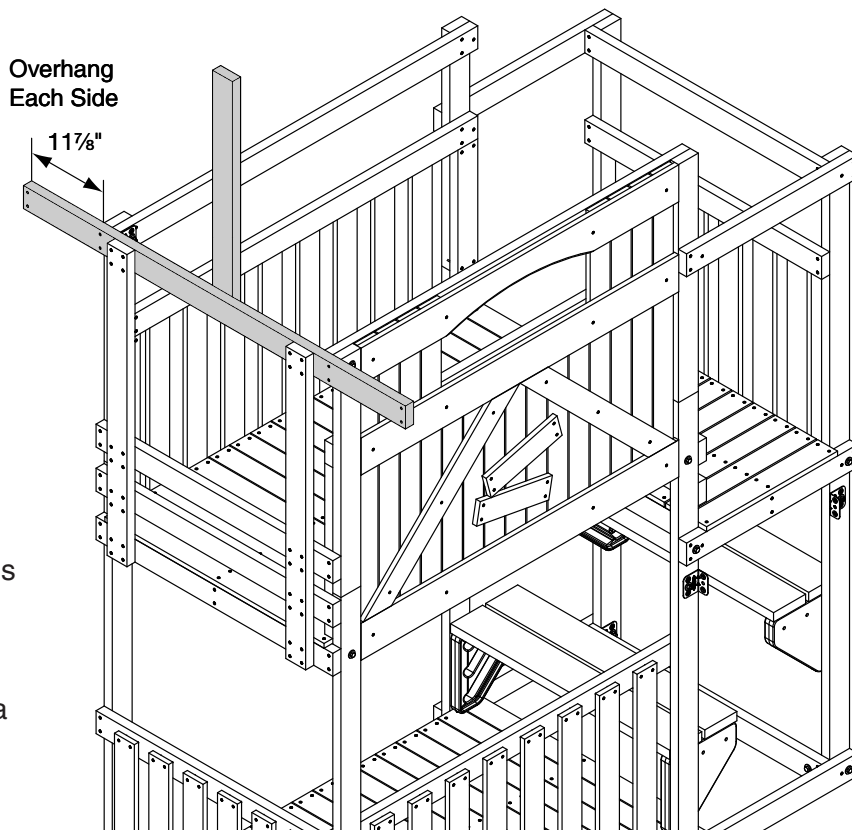
Position tower in its desired location.
Ground must be level.

Attach one pre-drilled "T" assembly as shown. Secure with #8 x 2½" deck screws

Instructions for Brackets Only:

Use bracket as drill guide and drill ⅛" holes 1" deep into the boards. Attach with #8 x 1¼" deck screws.

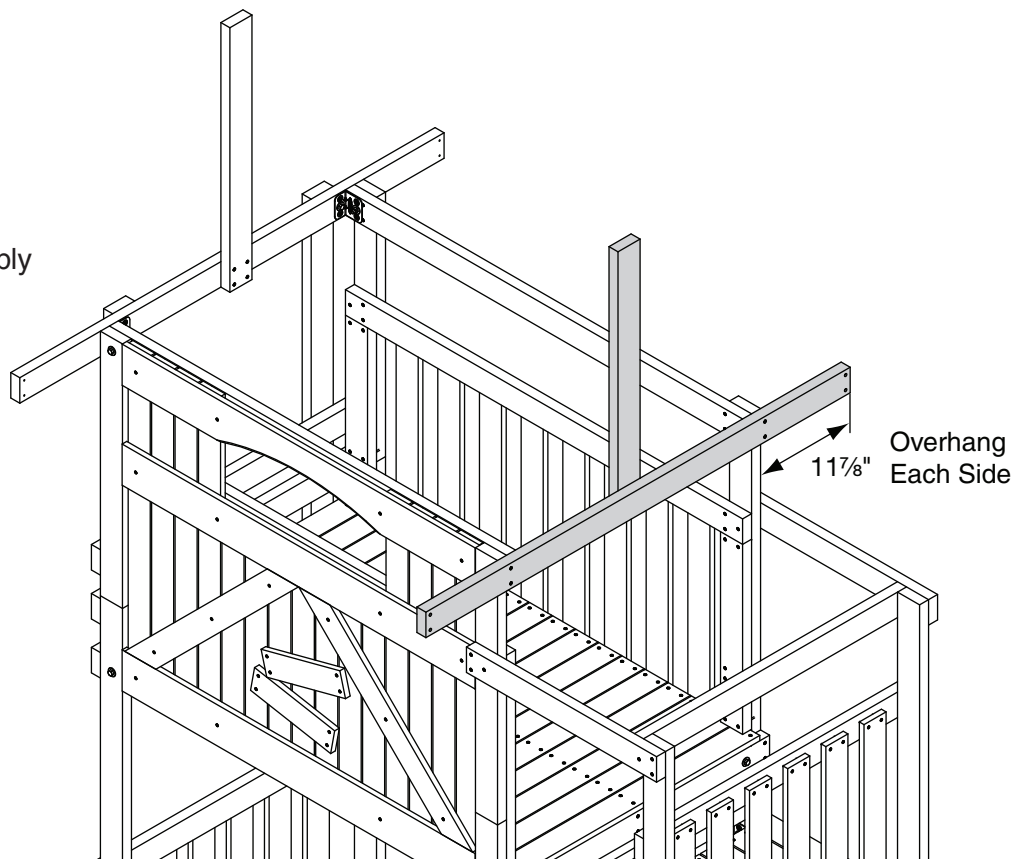
Use the brackets as a drill guide and drill a ¼" hole 1" deep through the side. Secure the side with a ⅜" x 1½" lag screw and ⅜" washer.



Items for STEP 2:

- (1) Roof "T" assembly
- (4) #8 x 2½" deck screws

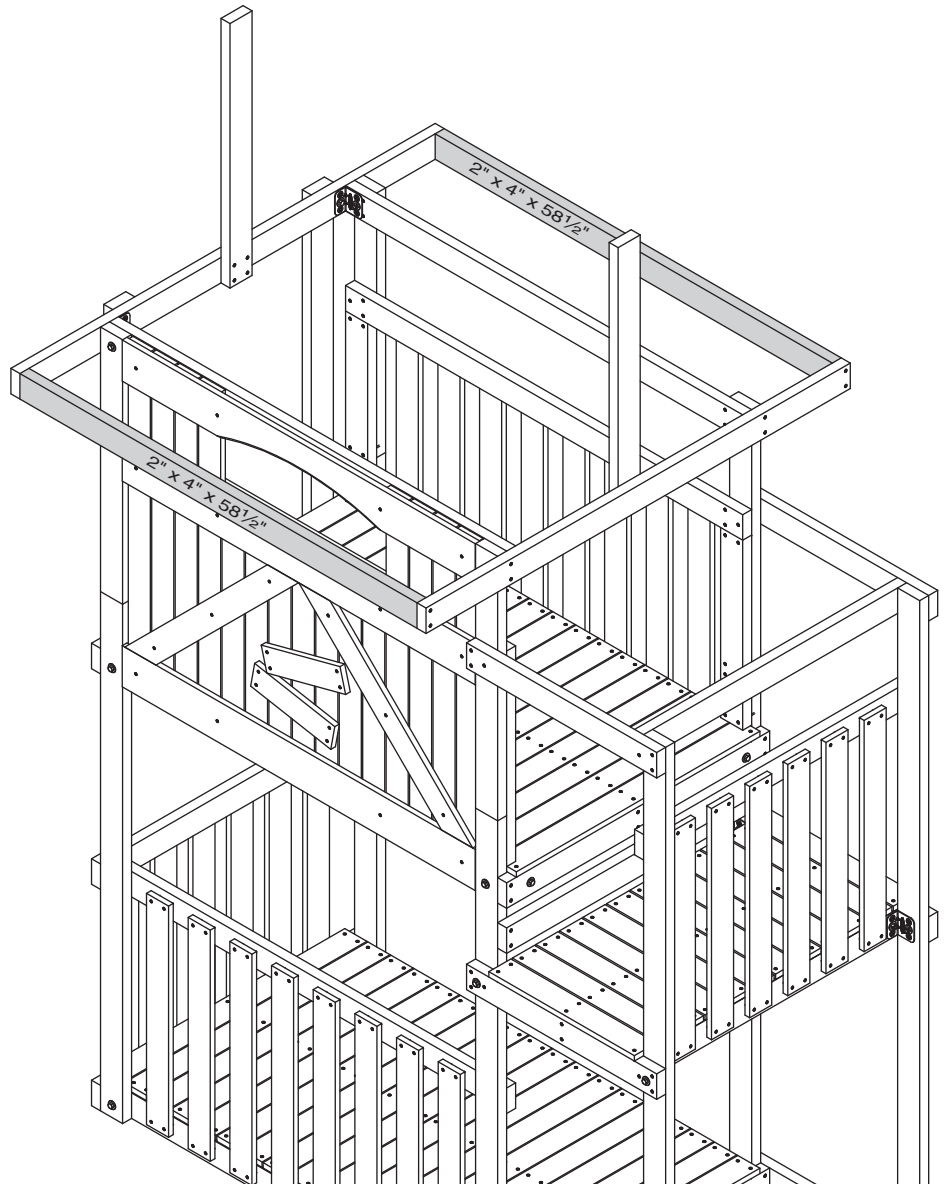
Attach one pre-drilled "T" assembly as shown. Secure with #8 x 2½" deck screws



Items for STEP 3:

- (2) 2" x 4" x 58½" boards
- (8) #8 x 2½" deck screws

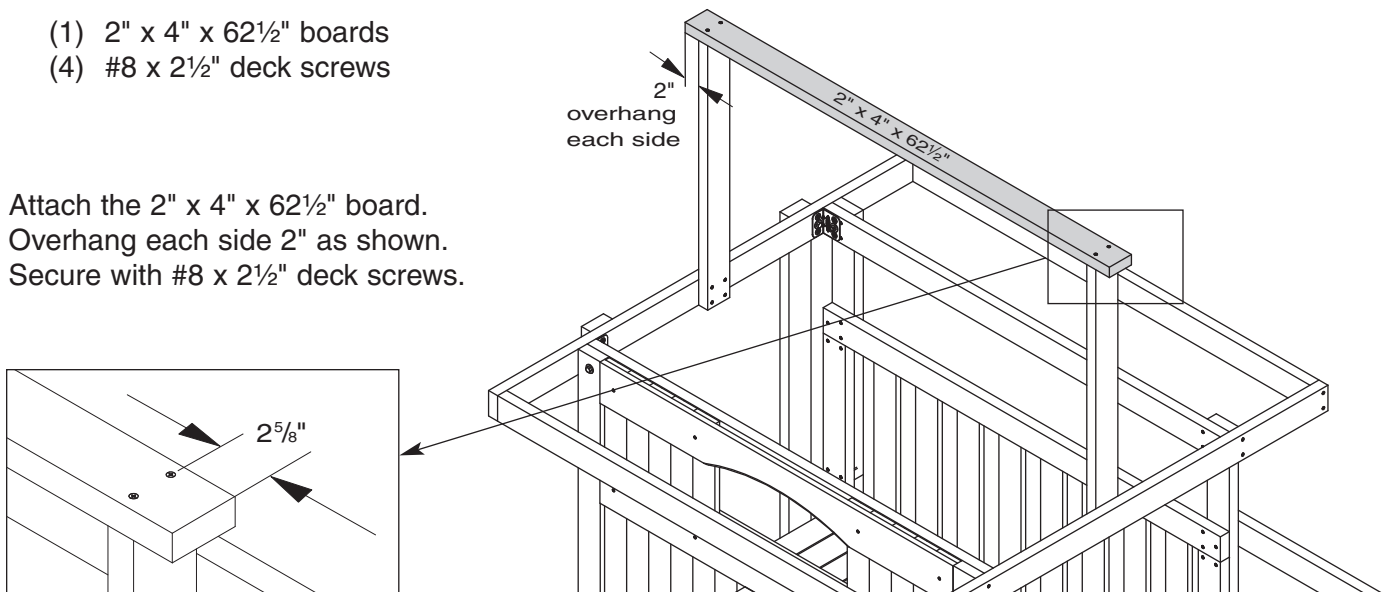
Attach two 2" x 4" x 58½" boards as shown. Secure with #8 x 2½" deck screws.



Items for STEP 4:

- (1) 2" x 4" x 62½" boards
- (4) #8 x 2½" deck screws

Attach the 2" x 4" x 62½" board. Overhang each side 2" as shown. Secure with #8 x 2½" deck screws.

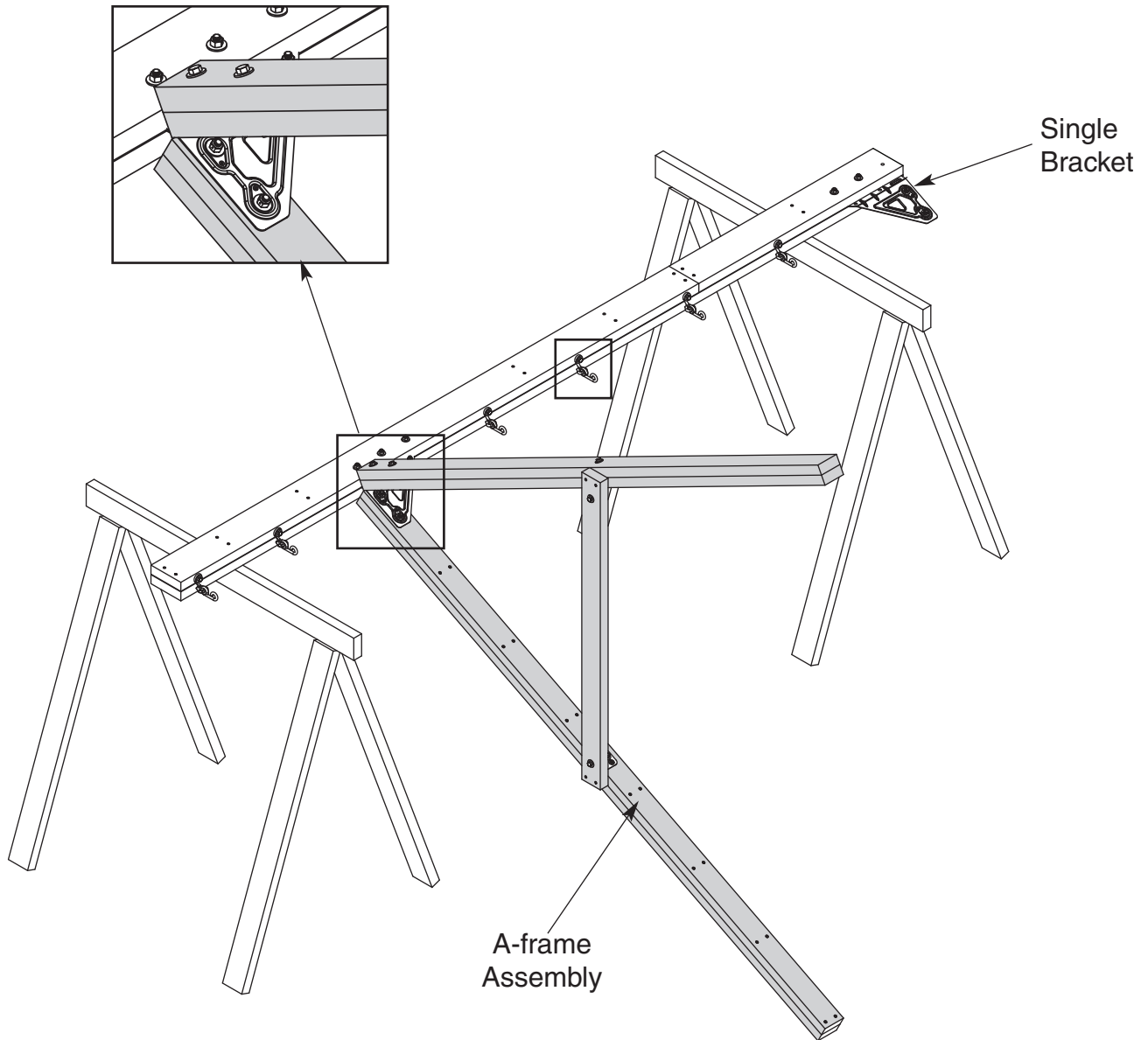


Items for STEP 5:

Lay swing beam on saw horses as shown.

- (1) Swing beam
- (1) A-frame assembly
- (6) $\frac{3}{8}$ " x $3\frac{1}{2}$ " hex bolts
- (6) $\frac{3}{8}$ " washers
- (6) $\frac{3}{8}$ " lock nuts

Position the A-frame assembly so that the top post is above the top bracket and the bottom post is below the bottom bracket. Line up the holes in the brackets with the holes in the posts and secure with $\frac{3}{8}$ " x $3\frac{1}{2}$ " hex bolts, $\frac{3}{8}$ " washers and $\frac{3}{8}$ " lock nuts.

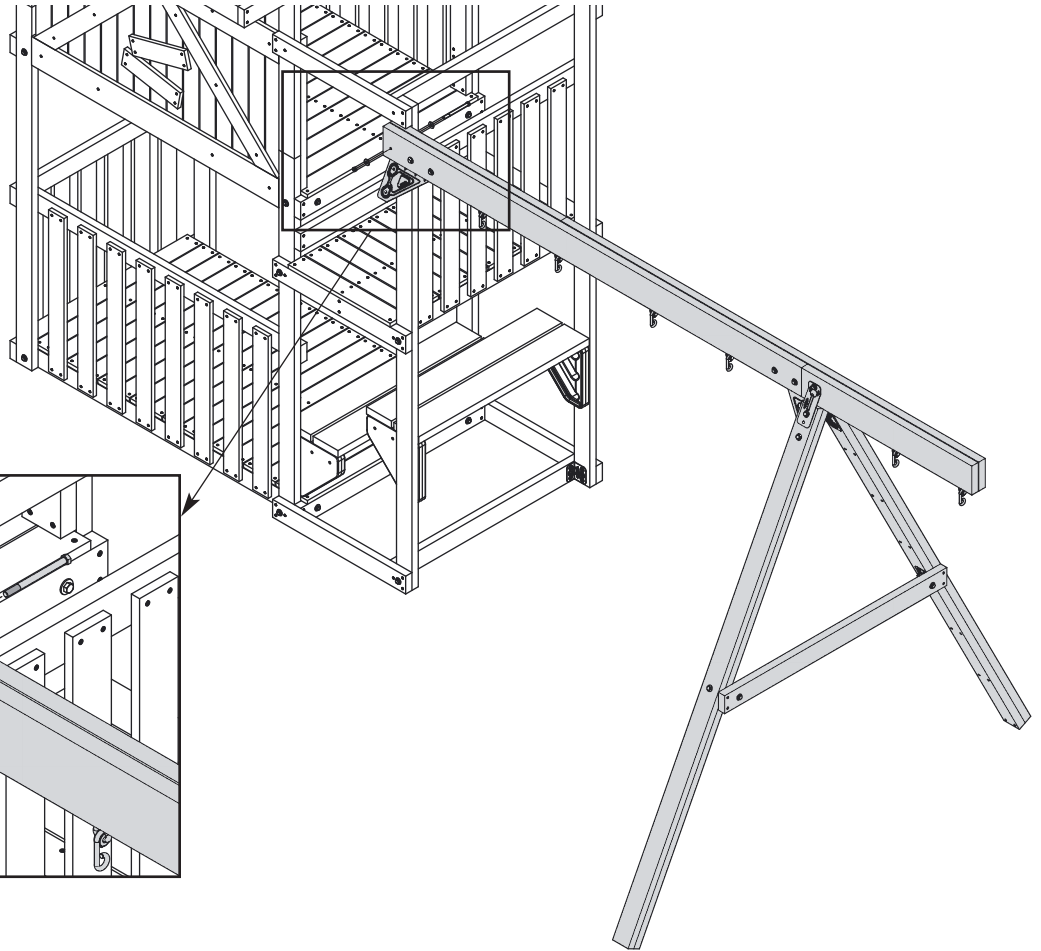
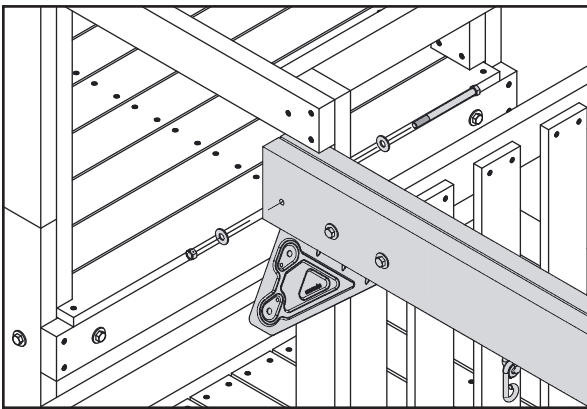


CONNECT TOWER AND SWING BEAM

Items for STEP 6:

- (1) $\frac{3}{8}$ " x 5" hex bolt
- (2) $\frac{3}{8}$ " washers
- (1) $\frac{3}{8}$ " lock nut

Lift beam to an upright position and attach to tower using one $\frac{3}{8}$ " x 5" hex bolt, $\frac{3}{8}$ " washers and $\frac{3}{8}$ " lock nut as shown.

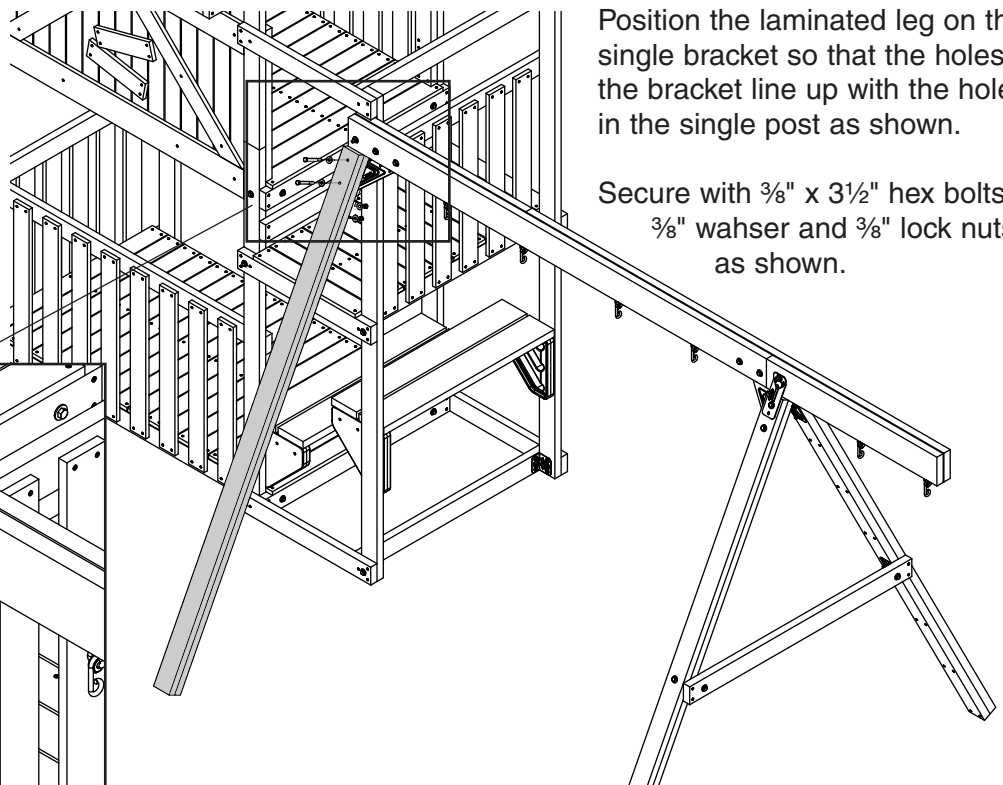
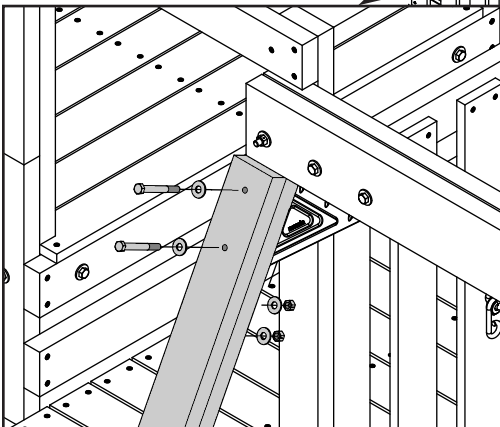


Items for STEP 7:

- (1) Laminated Leg
- (2) $\frac{3}{8}$ " x $3\frac{1}{2}$ " hex bolts
- (4) $\frac{3}{8}$ " washers
- (2) $\frac{3}{8}$ " lock nut

Position the laminated leg on the single bracket so that the holes of the bracket line up with the holes in the single post as shown.

Secure with $\frac{3}{8}$ " x $3\frac{1}{2}$ " hex bolts, $\frac{3}{8}$ " washer and $\frac{3}{8}$ " lock nuts as shown.



Items for **STEP 8:**

- (1) 2" x 4" x 28" board
- (2) Corner brackets
- (4) #8 x 2½" deck screws
- (8) #8 x 1¼" deck screws
- (1) ⅜" x 3½" hex bolt
- (3) ⅜" x 2" hex bolts
- (8) ⅜" washers
- (4) ⅜" lock nuts

Position 2" x 4" x 28" board 34¾" up from bottom of tower flush with the tower and swing beam posts as shown. Attach with #8 x 2½" deck screws.

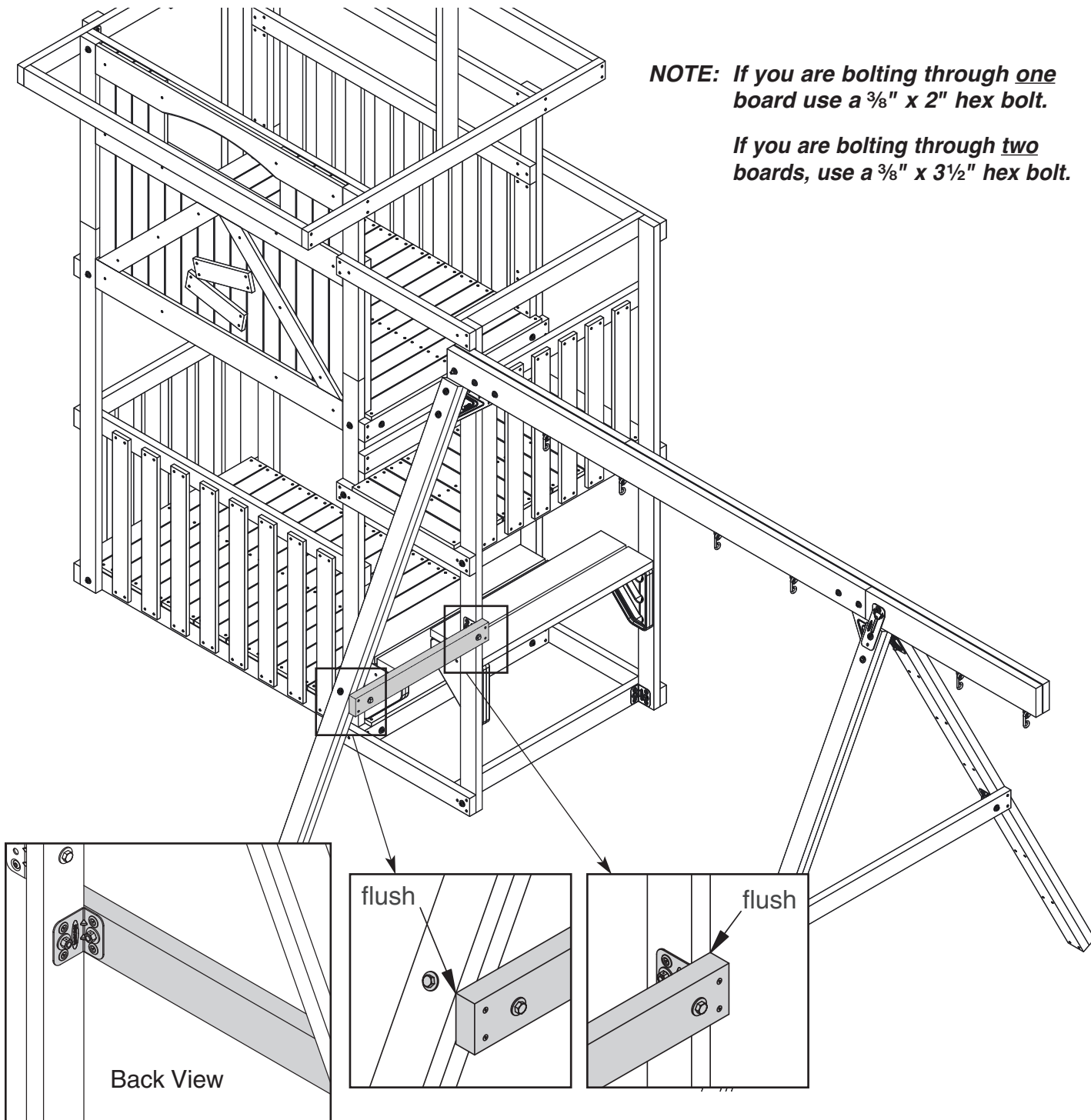
Attach corner brackets. Position brackets so that the short sides are against the 2" x 4" x 28" board. (See Page 9 for details.)

Use the bracket as a drill guide and drill ⅛" holes 1" deep into the board. Attach with #8 x 1¼" deck screws.

Again use the bracket as a drill guide and drill ⅜" holes completely through the boards. Secure with ⅜" hex bolts, ⅜" washers and ⅜" lock nuts.

NOTE: *If you are bolting through one board use a ⅜" x 2" hex bolt.*

If you are bolting through two boards, use a ⅜" x 3½" hex bolt.



GOLD & BRONZE

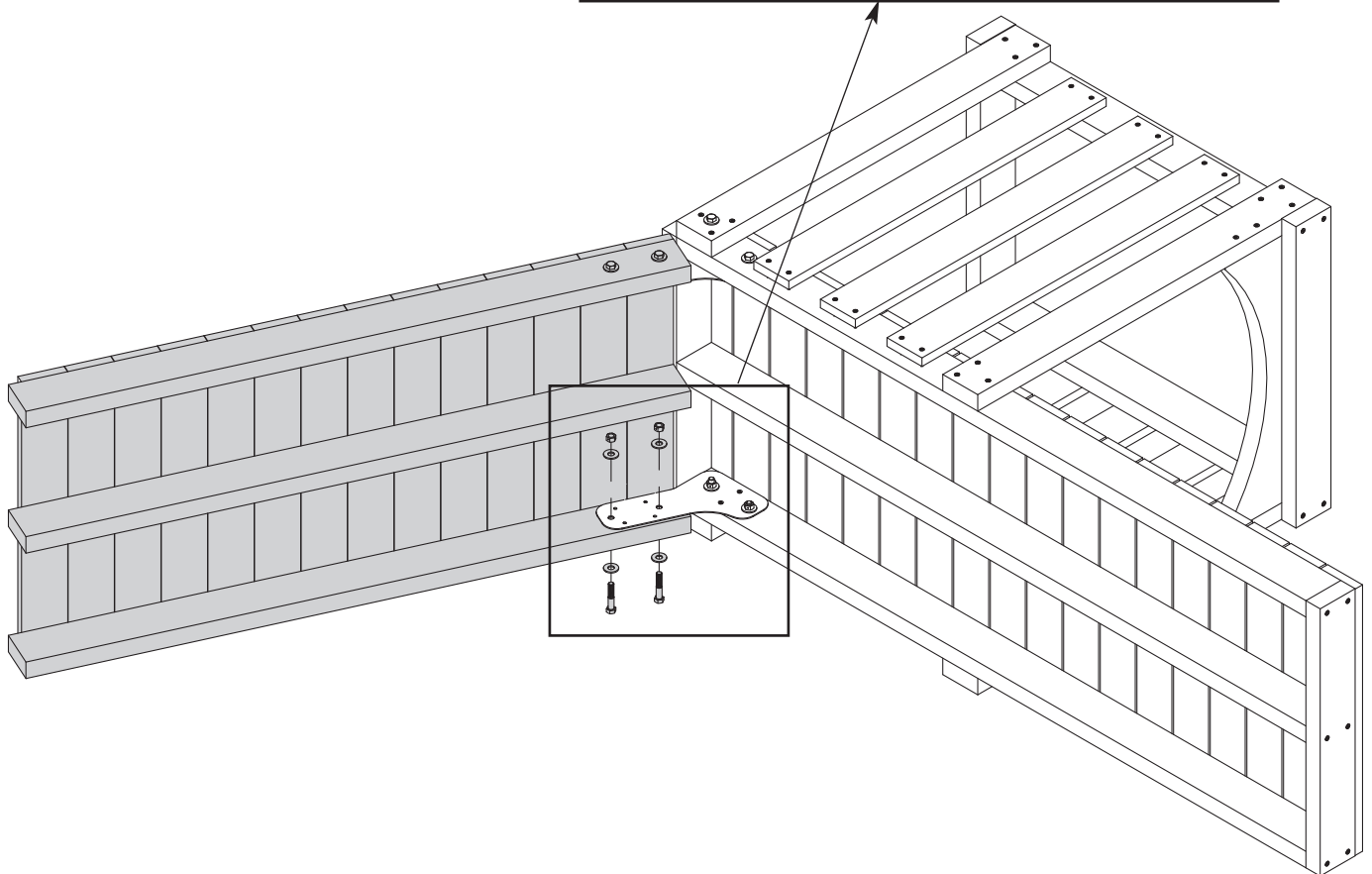
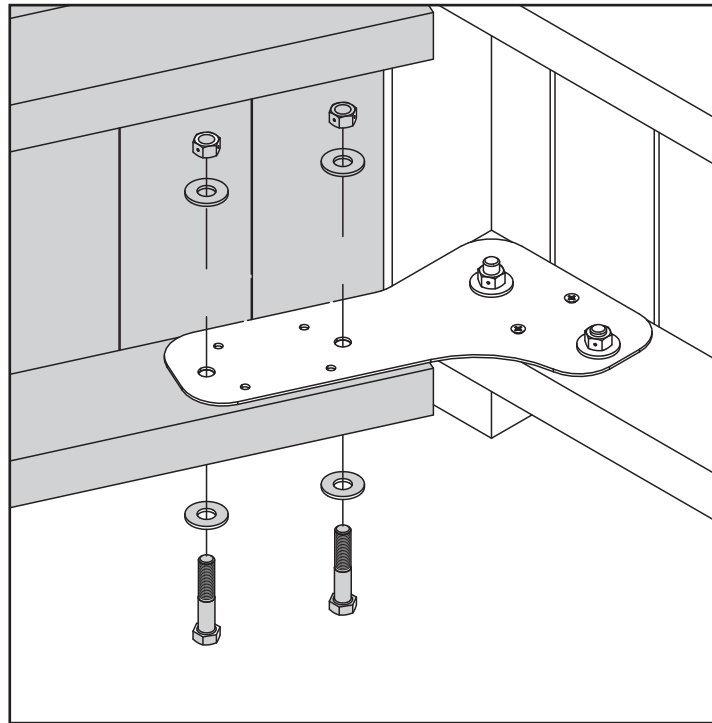
Silver & Starter Design Options skip to page 18.

Items for STEP 1:

- (1) Rock Wall assembly
- (1) Bridge-Tunnel assembly
- (4) $\frac{3}{8}$ " x 2" hex bolts
- (8) $\frac{3}{8}$ " washers
- (4) $\frac{3}{8}$ " lock nuts

Position Rock Wall and Bridge-Tunnel as shown, making sure the $\frac{3}{8}$ " holes line up with the pre-drilled holes.

Secure bridge brackets with $\frac{3}{8}$ " x 2" hex bolts, $\frac{3}{8}$ " washers and $\frac{3}{8}$ " lock nuts.

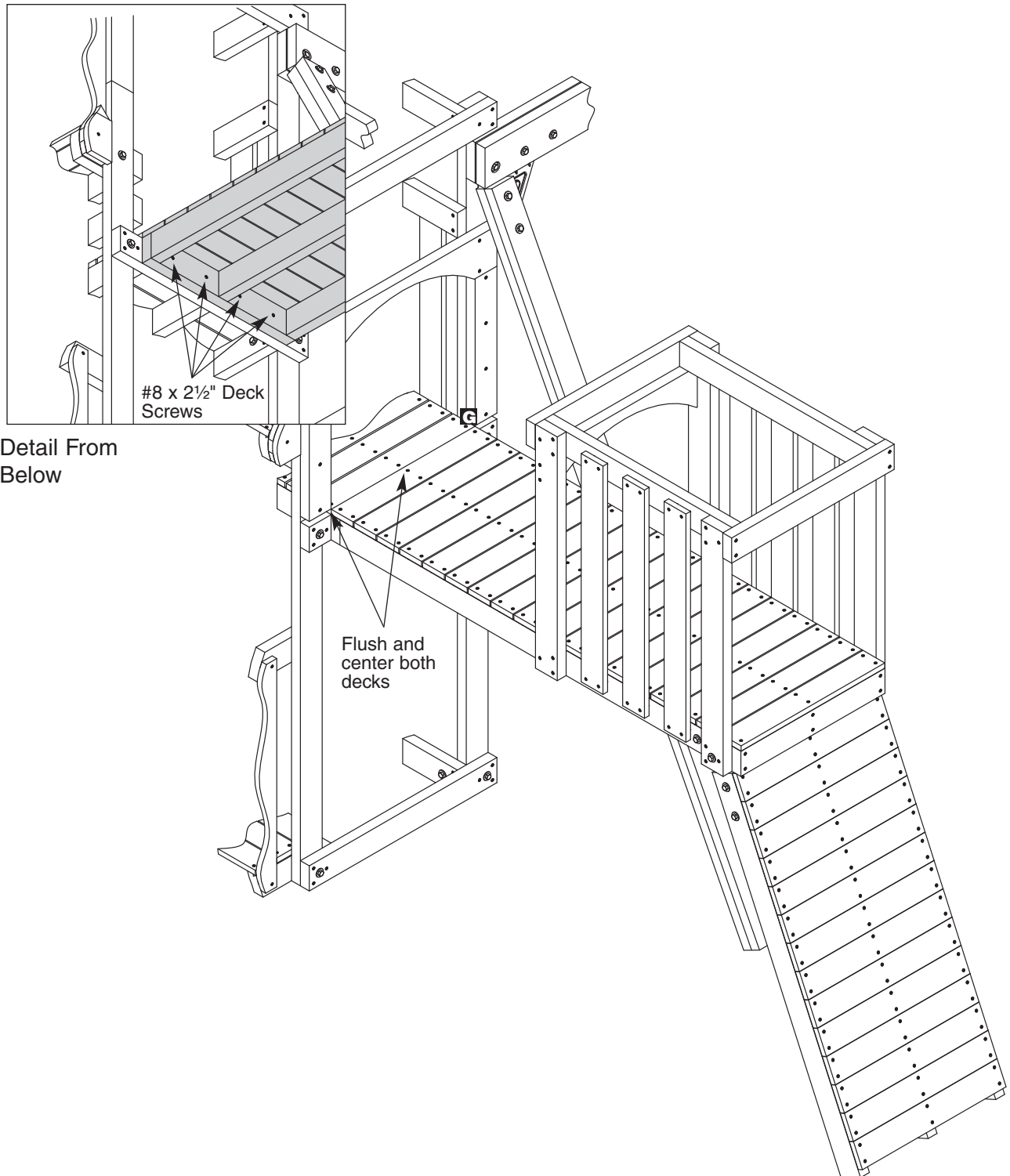


Items for STEP 2:

- (1) Bridge-Tunnel assembly
- (4) #8 x 2½" deck screws

Bring the Bridge-Tunnel to its final position as shown.

Attach Bridge-Tunnel assembly to tower as shown. Make sure the bridge decking is centered with the tower decking. Also, make sure the top surfaces of both decks are flush as shown. Secure with #8 x 2½" deck screws through the holes located under decking.



Items for STEP 3:

- (1) Tunnel
- (36) #8 x 5/8" truss head screws

Position the tunnel into the bridge opening as shown.

Make sure the tunnel is fully inserted and the flanges are firmly resting against the lumber and the ends are flush with the sides of the lumber as shown.

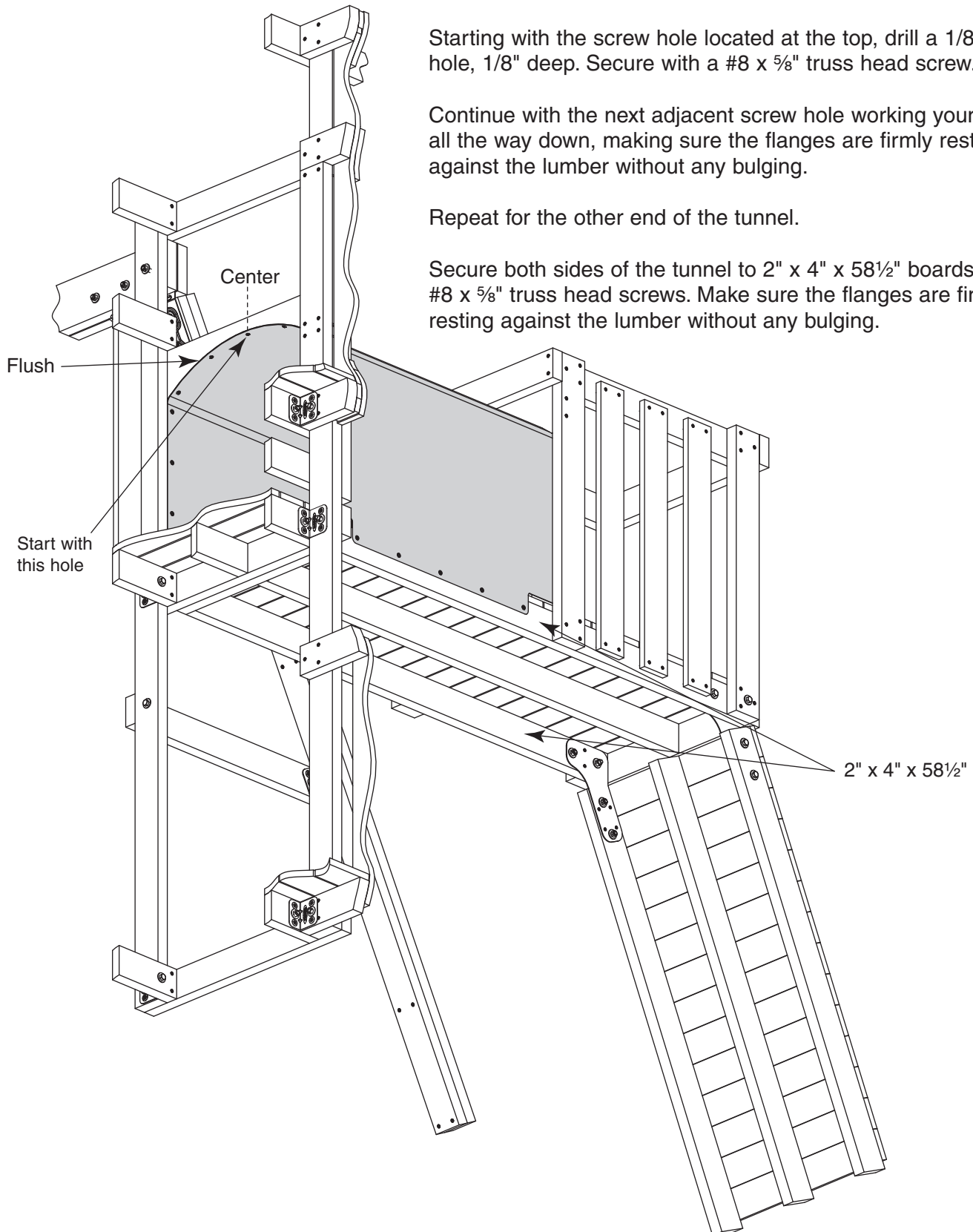
Find the center of the arch and line it up with the screw hole at the top of the tunnel.

Starting with the screw hole located at the top, drill a 1/8" hole, 1/8" deep. Secure with a #8 x 5/8" truss head screw.

Continue with the next adjacent screw hole working your way all the way down, making sure the flanges are firmly resting against the lumber without any bulging.

Repeat for the other end of the tunnel.

Secure both sides of the tunnel to 2" x 4" x 58 1/2" boards with #8 x 5/8" truss head screws. Make sure the flanges are firmly resting against the lumber without any bulging.



SILVER & STARTER

Items for STEP:

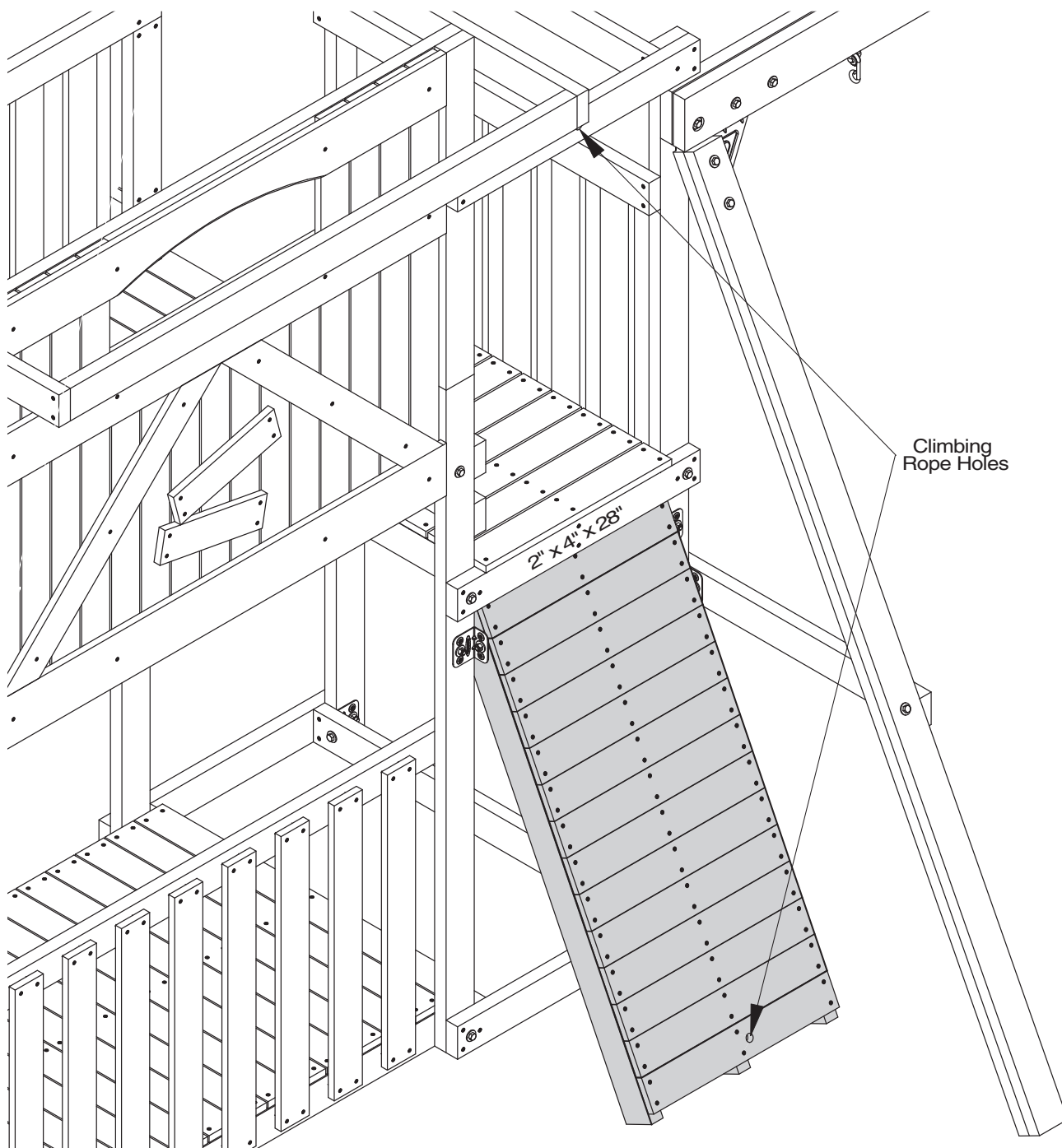
- (1) Rock Wall assembly
- (4) #8 x 1 1/4" deck screws
- (2) 3/8" x 2" hex bolts
- (4) 3/8" washers
- (2) 3/8" lock nuts

Attach Rock Wall to corner brackets as shown. Bottom corners of Rock Wall must rest on the ground and the top edge of the Rock Wall must be tight against 2" x 4" x 28" as shown.

Use the brackets as a drill guide and drill 1/8" holes 1" deep into the boards. Attach with #8 x 1 1/4" deck screws.

Again use the brackets as a drill guide and drill 3/8" holes completely through the board. Secure with 3/8" x 2" hex bolts, 3/8" washers and 3/8" lock nuts.

Install rope per instructions on Page 26.



CONNECT TOWER & CLIMBING BAR ASSEMBLY

Items for **STEP 1:**

- (1) Climbing Bar Assembly
- (4) #8 x 1 1/4" deck screws
- (1) 3/8" x 3 1/2" hex bolt
- (1) 3/8" x 3" lag screw
- (3) 3/8" washers
- (1) 3/8" lock nut

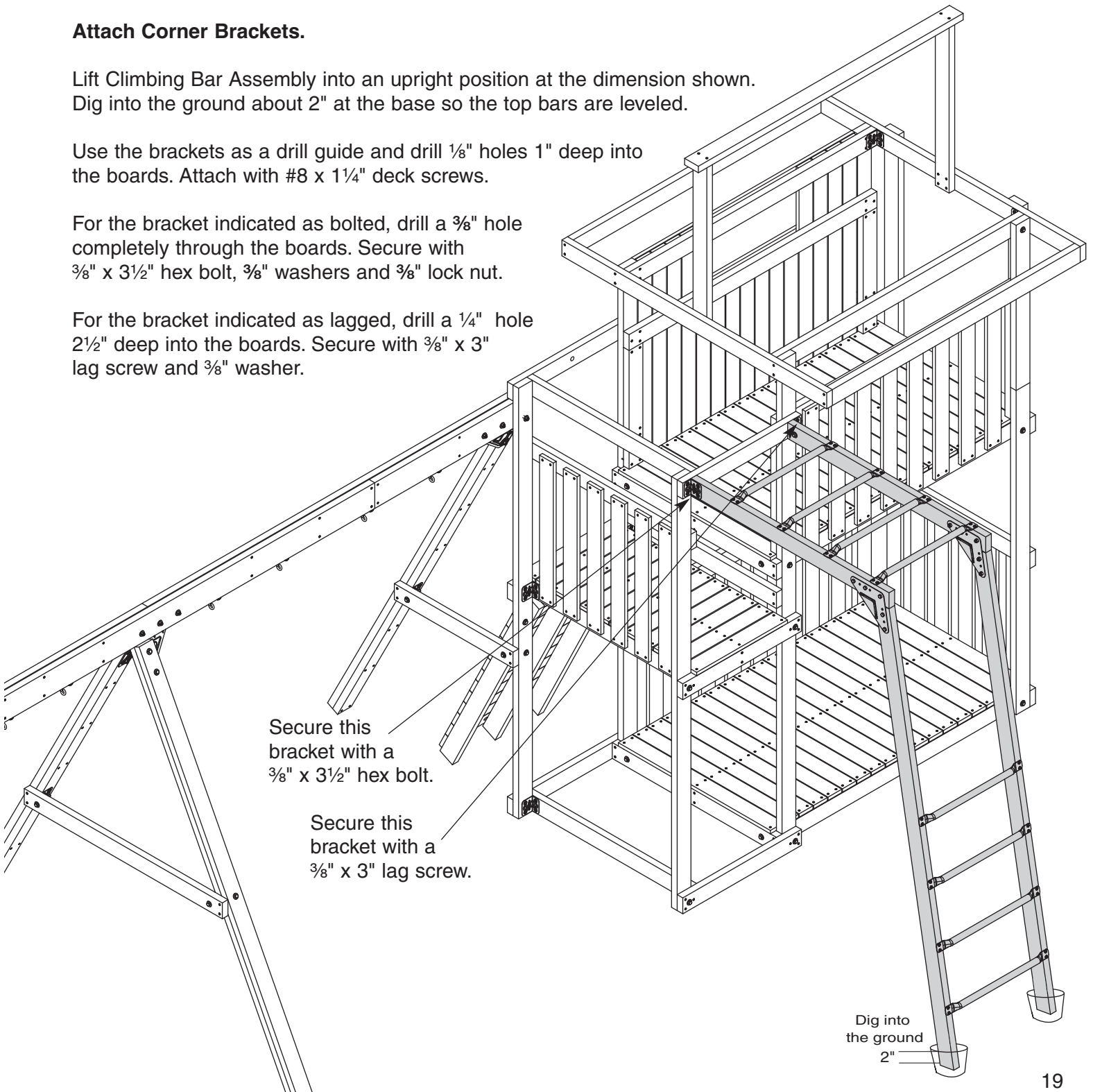
Attach Corner Brackets.

Lift Climbing Bar Assembly into an upright position at the dimension shown. Dig into the ground about 2" at the base so the top bars are leveled.

Use the brackets as a drill guide and drill 1/8" holes 1" deep into the boards. Attach with #8 x 1 1/4" deck screws.

For the bracket indicated as bolted, drill a 3/8" hole completely through the boards. Secure with 3/8" x 3 1/2" hex bolt, 3/8" washers and 3/8" lock nut.

For the bracket indicated as lagged, drill a 1/4" hole 2 1/2" deep into the boards. Secure with 3/8" x 3" lag screw and 3/8" washer.



Items for STEP 2:

- (1) Tarp roof
- (10) Snap screws

Align end of tarp (with the five snaps) approximately $1\frac{3}{4}$ " from the bottom edge of the 2" x 4" x $58\frac{1}{2}$ " board and pull outermost edges into position as shown. **(Fig.1)**

Using a pencil, identify and mark each snap location center (should be approximately $2\frac{1}{4}$ " from the bottom edge of the 2" x 4" x $58\frac{1}{2}$ " board).

Drill $\frac{1}{8}$ " hole $\frac{1}{8}$ " deep in the center of the marked locations. Install snap screws into place and secure. **(Fig. 2)**

Pull tarp tight and repeat to secure other end.

Note: You may need to adjust these dimensions in order to install the tarp snugly.

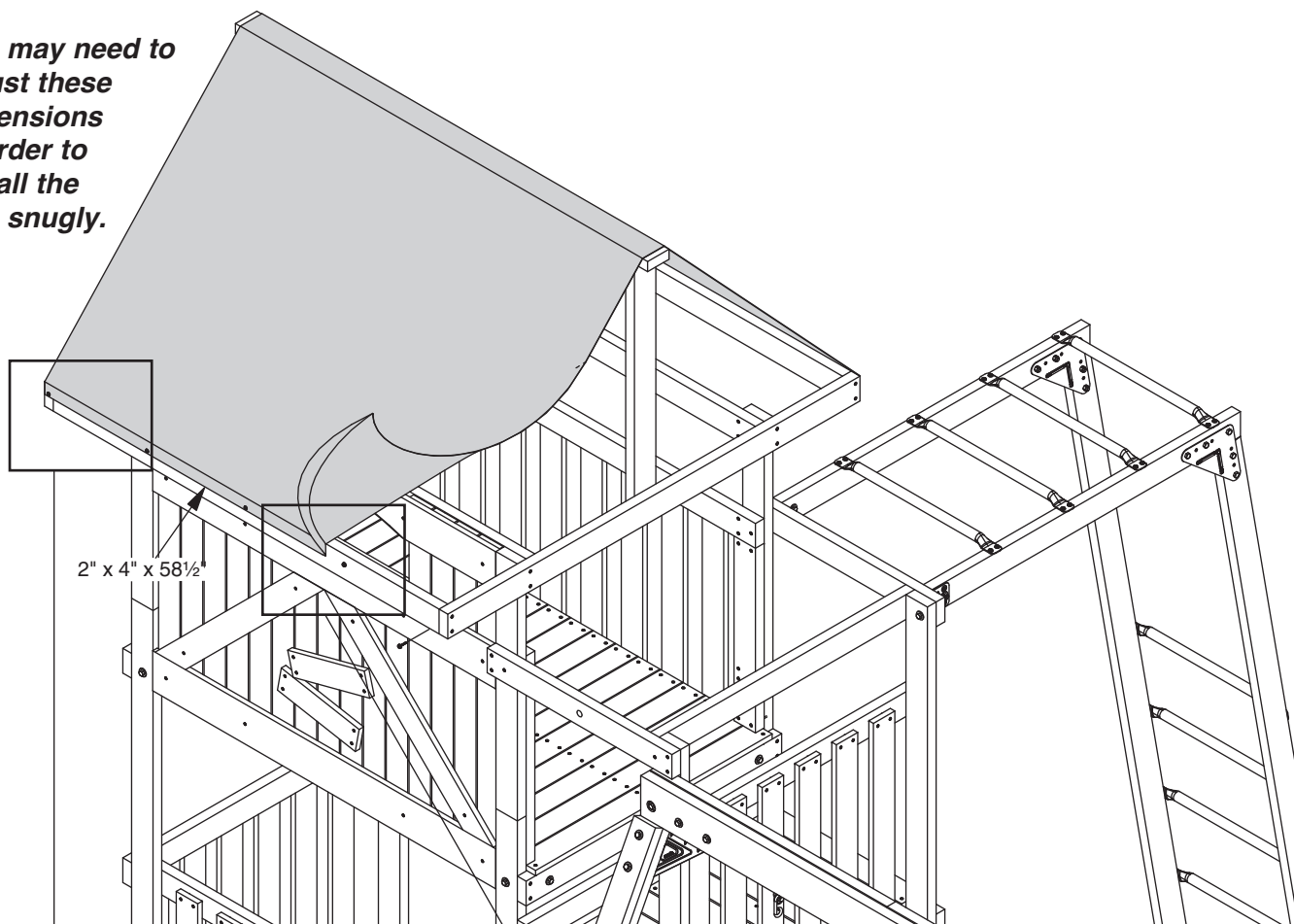


Fig. 1

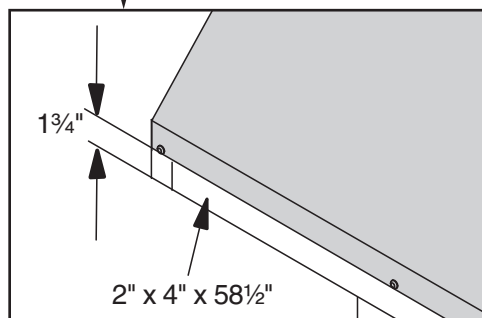
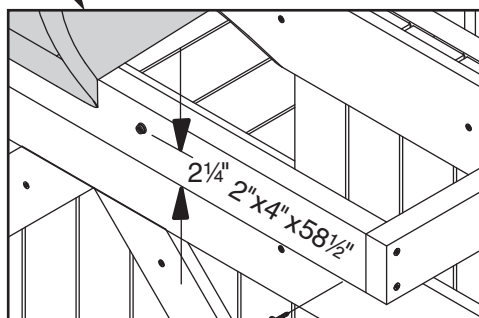
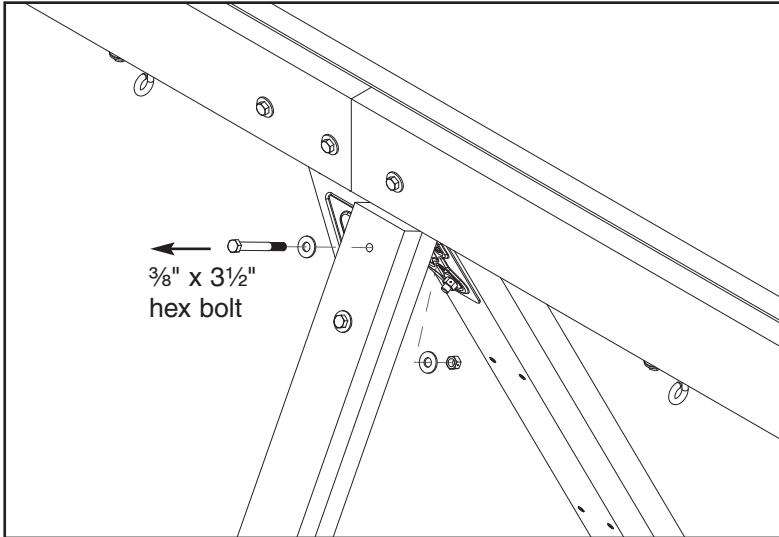


Fig. 2



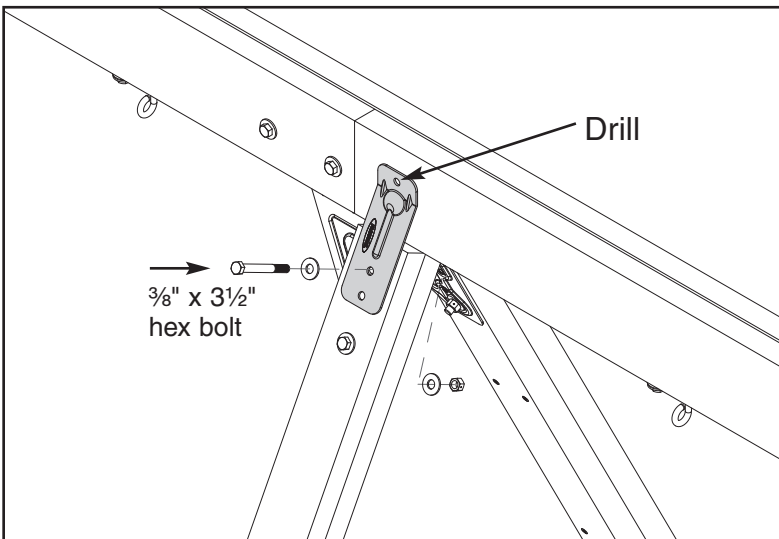
STURDY-FRAME BRACE INSTALLATION



STEP 3:

Remove the top 3/8" x 3 1/2" hex bolt, washers and lock nut from the post support as shown. (Save these parts because they will be used in the next step.)

NOTE: *It is easiest to remove this bolt by continuing to rotate in a counterclockwise direction.*

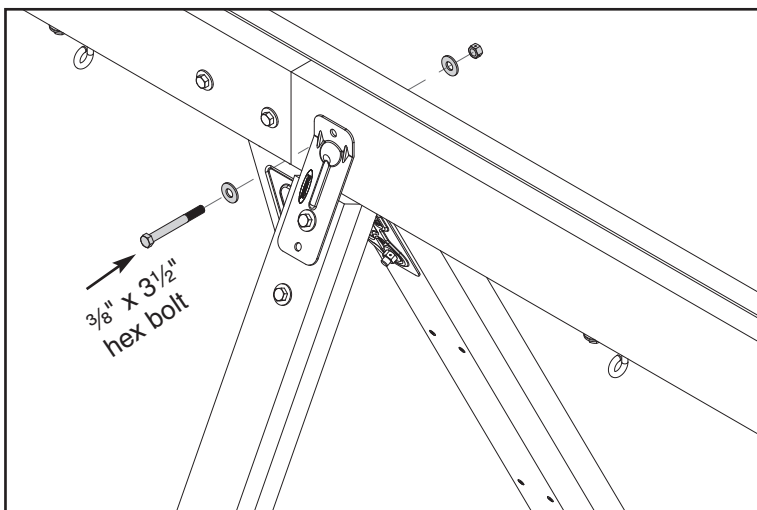


Items for STEP 4:

- (1) Sturdy-Frame Brace
 - (1) 3 1/2" hex bolt
 - (2) 3/8" washers
 - (1) 3/8" lock nut
- } *Removed on previous step*

Install the Sturdy-Frame Brace as shown and secure with 3/8" x 3 1/2" hex bolt, washers and lock nut removed in previous step.

Make sure brace is square to beam. Using the brace as a template, drill a 3/8" hole completely through the beam.



Items for STEP 5:

- (1) 3 1/2" hex bolt
- (2) 3/8" washers
- (1) 3/8" lock nut

Secure the Sturdy-Frame Brace to the beam with the 3/8" x 3 1/2" hex bolt, washers and lock nut.

ANCHORING

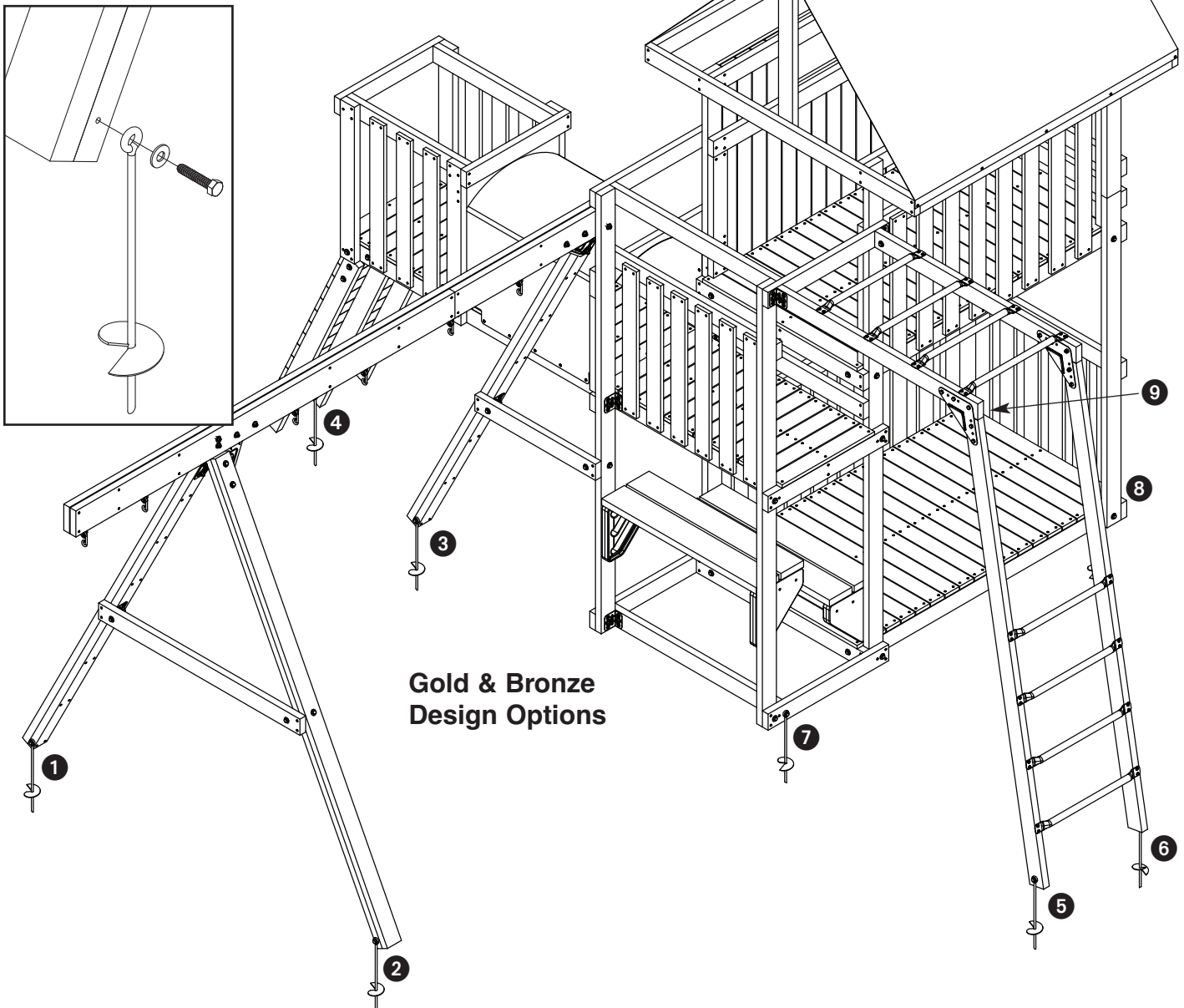
Items for **STEP 6:**

- (9) Playset Anchors
- (9) $\frac{3}{8}$ " x $1\frac{1}{2}$ " lag screws
- (9) $\frac{3}{8}$ " washers

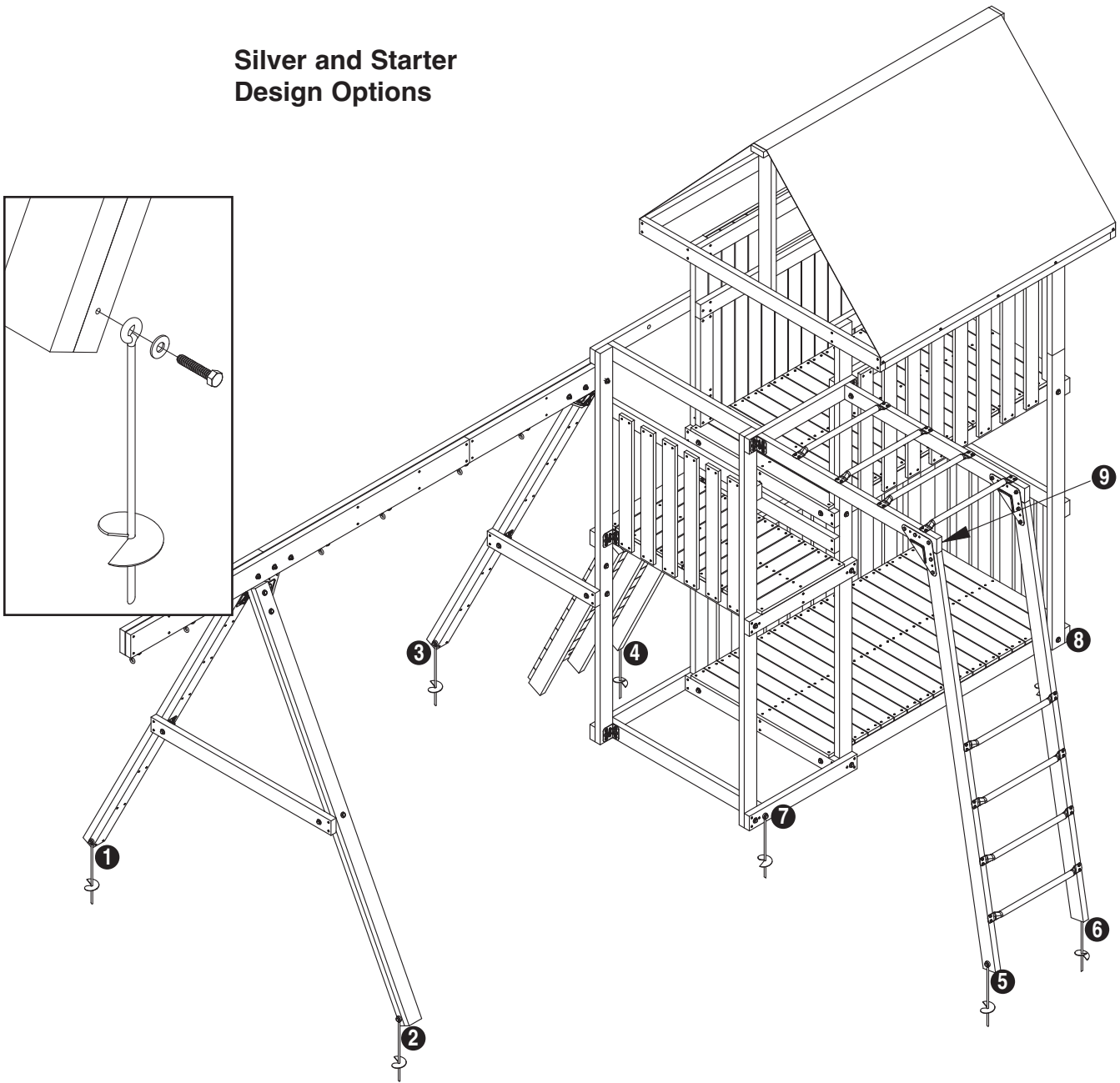
At locations shown screw Playset Anchors into ground by hand (a long screwdriver will help).

Use the anchor as a drill guide and drill a $\frac{1}{4}$ " hole 1" deep into the board. Attach with $\frac{3}{8}$ " x $1\frac{1}{2}$ " lag screw and $\frac{3}{8}$ " washer.

Note: *If soil conditions permit anchors to be pulled out easily, such as in sandy soil conditions, cementing is required. If your ground is too hard to screw in the anchors you can remove the earth with a shovel. Install the anchors and compact the earth as you replace it. Anchors must be placed below the level of the shock-absorbing surfacing material to prevent tripping or injury resulting from a fall.*



Silver and Starter Design Options



Reminder:
*Be sure to install proper shock-absorbing
surfacing material. Refer to the Safety
Guidelines at the beginning of this plan.*

GIANT SCOOP WAVE SLIDE - Mounting Instructions

Items for this step:

- (1) Playset Anchor
- (1) $\frac{3}{8}$ " x $1\frac{1}{4}$ " hex bolt
- (2) $\frac{3}{8}$ " washers
- (1) $\frac{3}{8}$ " lock nut
- (3) #14 x $1\frac{1}{4}$ " pan head screws included with Giant Scoop Wave Slide

Align Slide at right angle (90°) to 60" play deck. Lip of Slide should rest on the playdeck $1\frac{1}{2}$ ". Using the Slide as a template, mark play deck through the three holes in the Slide. Drill three $\frac{1}{8}$ " holes at marked location.

Attach Slide temporarily to play deck with three #14 x $1\frac{1}{4}$ " pan head screws.

Prepare level area where Slide touches ground that is 1" below surrounding grade.

Locate and mark the ground on the back side, on either side of the star. Remove Slide and screw Playset Anchor into the ground (a long screwdriver will help). Screw the anchor deep enough so that the loop at the top of the anchor will be flat against the back surface of Slide when the slide is in the final position.

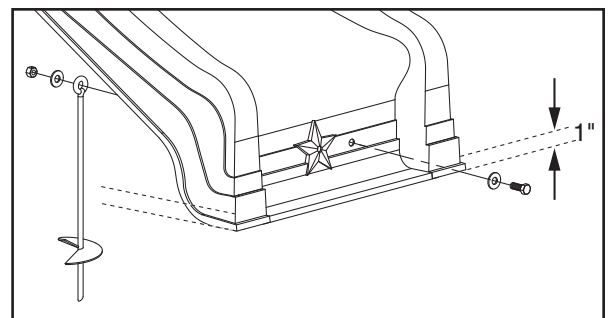
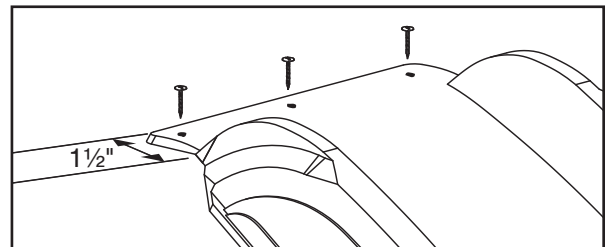
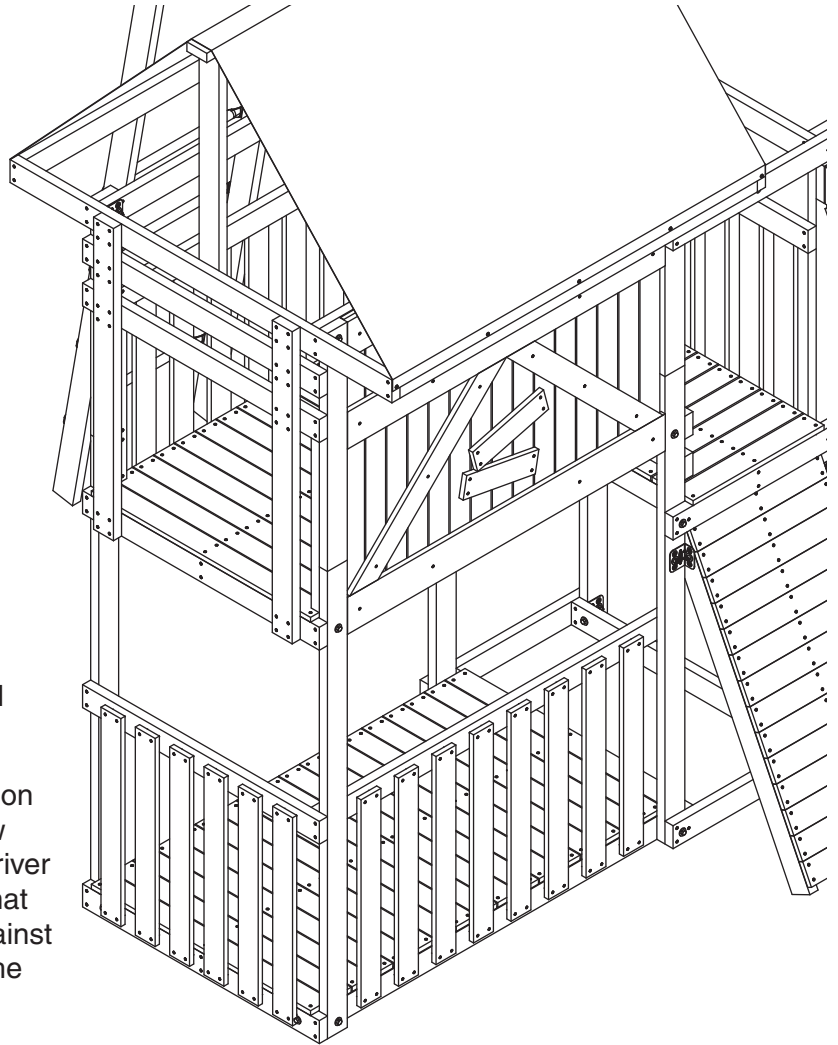
Reinstall Slide permanently, attaching it to play deck using #14 x $1\frac{1}{4}$ " pan head screws.

Use the Playset Anchor as a drill guide and drill a $\frac{3}{8}$ " hole completely through the Slide. Attach Slide to anchor with one $\frac{3}{8}$ " x $1\frac{1}{4}$ " hex bolt, two $\frac{3}{8}$ " washers and one $\frac{3}{8}$ " lock nut provided in the anchor kit.

Fill in around bottom of Slide to make surface level to surrounding grade.

Caution: Failure to anchor the Slide properly could cause serious injury from children lifting the slide.

Caution: Do not install this Slide over concrete, asphalt, packed earth, or any other hard surface. A fall onto a hard surface can result in serious injury to the equipment user.

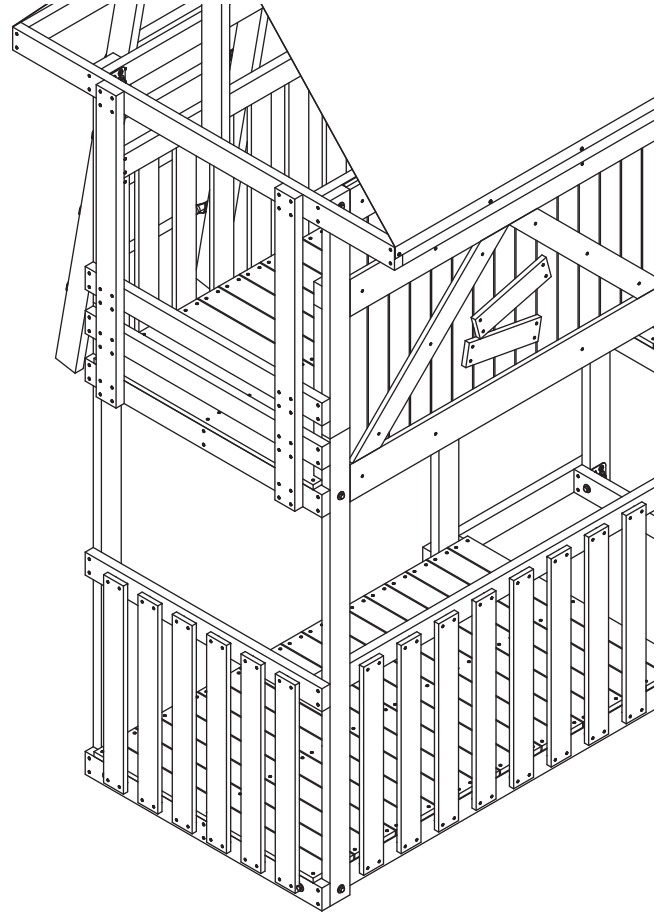


TURN TO PAGE 26 FOR COMPONENT MOUNTING INSTRUCTIONS.

SPIRAL TUBE SLIDE – Mounting Instructions

Follow your Spiral Tube Slide Instructions through Step 16, skipping steps 13 and 14, for Assembly of Spiral Tube Slide.

Replace Step 17 with the following modification.



Modification for STEP 17 (of Spiral Tube Slide):

- (1) Support Bracket
- (1) $\frac{3}{8}$ " x 2" hex bolt
- (1) $\frac{5}{16}$ " x 1" hex bolt
- (1) $\frac{3}{8}$ " washer
- (1) $\frac{3}{8}$ " lock nut

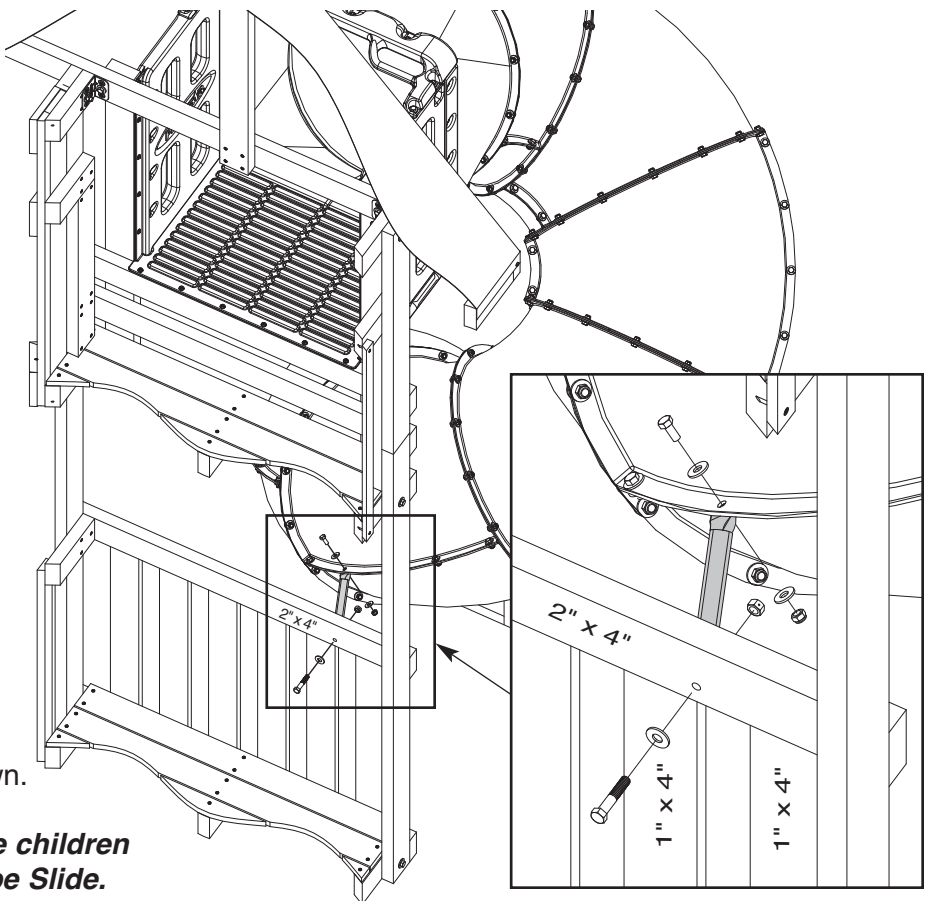
Locate the second bolt from the bottom on the Spiral Tube Slide Step 5 Assembly as shown. Remove and discard the bolt, save the nut and the washers.

Attach the bracket to the slide using a $\frac{5}{16}$ " x 1" hex bolt and the washers and nut saved previously. The smaller flange of the bracket will make contact with the bottom flange of the slide as shown in the picture.

Tighten firmly but **do not over tighten**.

The larger flange of the bracket must make firm contact with the 2" x 4" board of the playset in between the first and second 1" x 4" boards as shown. Mark the hole with a pencil. Drill a $\frac{3}{8}$ " hole through the 2" x 4" board. Attach with $\frac{3}{8}$ " x 2" hex bolt, a $\frac{3}{8}$ " washer and a $\frac{3}{8}$ " lock nut as shown.

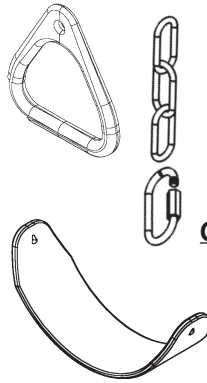
Note: Inspect all the fasteners before children are allowed to play on the Spiral Tube Slide.



COMPONENTS – Mounting Instructions

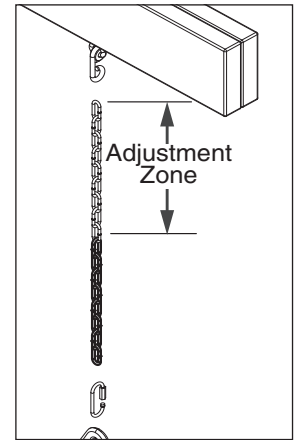
SWING SEAT AND GYM RINGS

1. Attach coated ends of chains onto play component using Quick-Link Connectors provided. Tighten securely with an Adjustable wrench.
2. Hook uncoated ends of chain onto Swing Hangers provided.
3. Customize the height of your **swing** or **gym rings** anywhere in the *Adjustment Zone*, to fit your child.



Swing Chain Spacing:
10" minimum spacing is required from the closest point of all other rides or stationary objects.

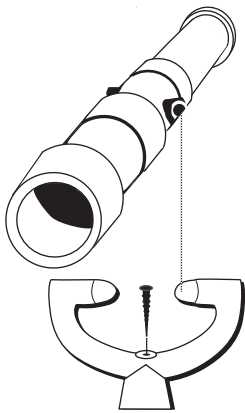
Gym Ring Chain Spacing:
11½" minimum spacing is required from the closest point of all other rides or stationary objects.



Warning: Failure to tighten Quick Links securely could result in injury.

DISCOVERY TELESCOPE

1. Determine desired location for pivot.
2. Drill a ⅛" diameter hole 1" deep.
3. Fasten pivot with #8 x 2½" deck screw provided.
4. Snap Discovery Telescope onto pivot.



CLIMBING ROPE

1. Tie five knots, equally spaced, for climbing grips. **(Fig. 1)**
2. Insert rope through top hole and tie a knot with 4" remaining.
3. Insert opposite end through bottom hole, pull tight and tie a knot while keeping rope snug.
4. Secure both ends with staples provided (2 each end). **(Fig. 2)**

front view

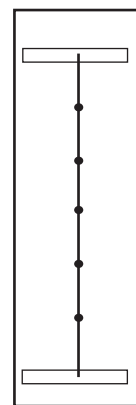


Fig. 1

back view

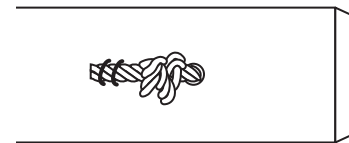
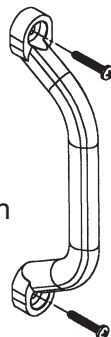


Fig. 2

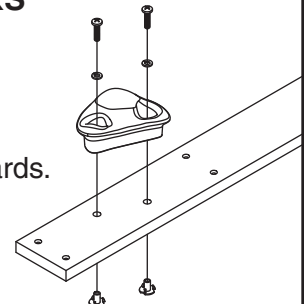
PLAY HANDLES

1. Position Play Handle at desired location.
2. Mark pilot holes.
3. Drill ⅛" holes 1" deep.
4. Secure with #14 x 1¼" pan head screws provided.



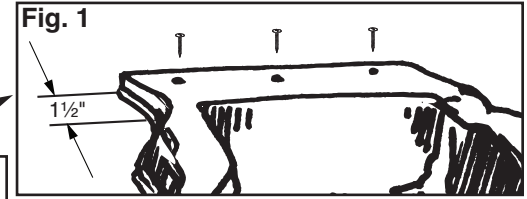
CLIMBING ROCKS

1. Position rocks at desired location.
2. Mark pilot holes.
3. Drill ⅜" holes completely through boards.
4. Hammer in T-nuts from back side.
5. Secure with two ¼" x 1" machine screws and ¼" split lock washers provided.

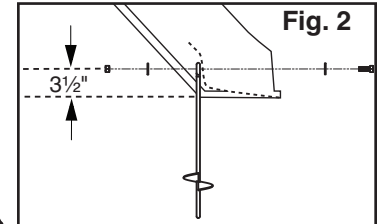
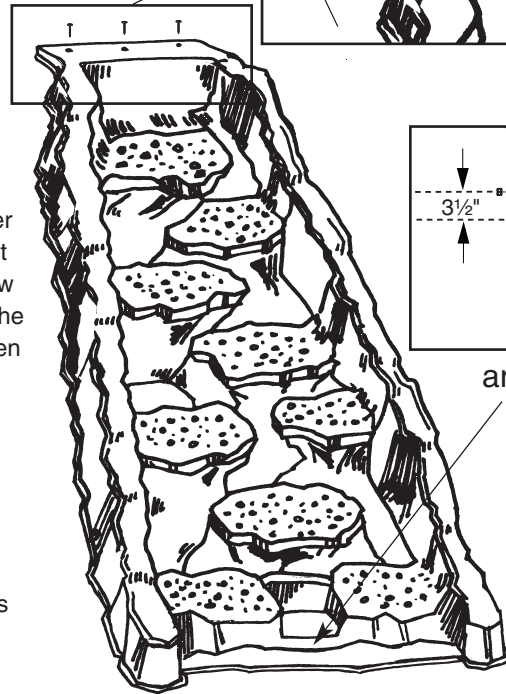


CLIMBING WALL – Assembly Instructions

1. Align top of Climbing Wall at right angle (90°). Lip of Climbing Wall should rest on the play deck 1½". Using the Climbing Wall as a template, mark play deck through the three holes in the climbing wall. Drill three ⅜" holes at marked locations. (Fig. 1)



2. Attach Climbing Wall temporarily to play deck with three #14 x 1¼" pan head screws provided.
3. Prepare level area where Climbing Wall touches ground.
4. Locate and mark the ground on the back side and in center of Climbing Wall. Remove Climbing Wall and screw Playset Anchor into the ground (a long screwdriver will help). Screw the anchor deep enough so that the center of the loop at the top of the anchor will be approximately 3½" off ground when wall is in the final position.
5. Reinstall Climbing Wall permanently, attaching it to play deck using #14 x 1¼" pan head screws provided.
6. Use the anchor as a drill guide and drill a ⅜" hole completely through the Climbing Wall. Attach Climbing Wall to anchor with one ⅜" x 1¼" hex bolt, two ⅜" washers and one ⅜" lock nut provided in the anchor kit. (Fig. 2)



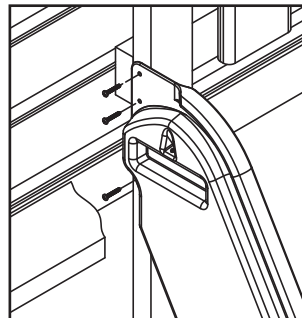
anchor location

Warning:
Failure to anchor the Climbing Wall properly could cause serious injury from children lifting the Unit.

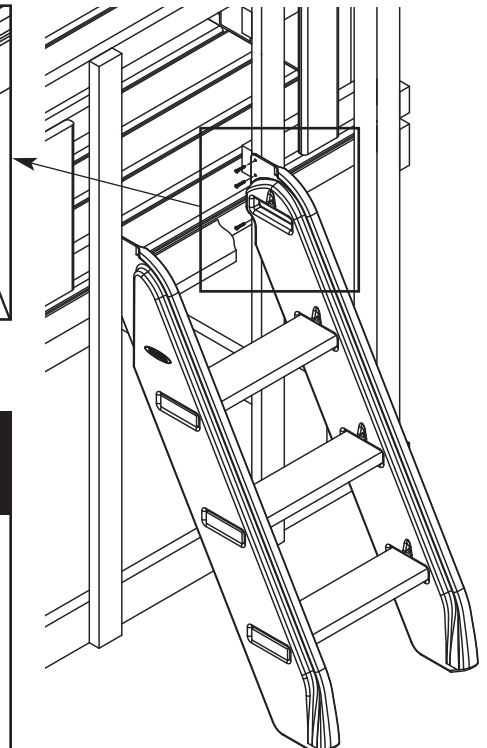
CLIMBING STEPS – Assembly Instructions

1. Install the Climbing Steps Assembly to your Adventure Tunnel Kit: Position the Climbing Steps Assembly into the 21½" opening of your play deck so that the top surface of the top step is flush with the top surface of the play deck. Push side rails of Climbing Step Assembly forward until they contact the play deck.

Note: The steps must be positioned as specified, otherwise a head entrapment or tripping hazard could exist.

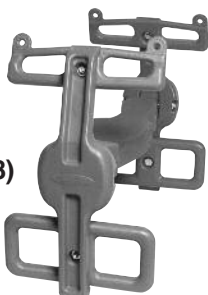


2. Secure the Climbing Step Assembly to the play deck using three #14 x 1¼" pan head screws on each side as shown.



USE THE INSTALLATION INSTRUCTIONS AND MOUNTING HARDWARE WHICH ARE SUPPLIED WITH THE FOLLOWING COMPONENTS

AIR RIDER (PS 7958)



WATER SLIDE KIT (PS 8840)



IMPORTANT – PLEASE READ

Thank You for choosing PlayStar. Because it is our intention to make this a positive family experience, we have taken great care in preparing this product.

All boards have been properly dried, thoroughly inspected for quality and dimensionally correct prior to packaging.

Occasionally a piece of lumber may develop a slight twist or bow due to changing humidity levels during transportation or storage. If this occurs, it can be straightened when attaching boards during the assembly process.

In a rare instance a severe twist or bow may occur and cause the board to be un-usable. If this happens do not return the board to the store

Please call our friendly Customer Service Department for immediate action.

If we can assist you in any way
Do not return to the store.

Please call us Toll Free at 1-888-PLAYSTAR
(752-9782)

Monday through Friday, 8:00 A.M. to 5:00 P.M. C.S.T.

Ask for Customer Service.

We Will Gladly Help!



PlayStar, Incorporated, Janesville, WI 53547

© 2009, 2007, PlayStar, Inc. Reproduction of this document in part or whole is prohibited without the permission of PlayStar, Inc.

Protected by one or more of the following United States or Foreign Patents: US D418,189; US D409,708; US D424,154; US D428,637; US 6,402,663; US D422,332; US D410,059; US 6,068,557; US 6,302,801; US 6,482,095; US 6,039,654; US D410,060; US D424,649; US 6,361,445; CA 2,304,345; US 6,540,645; US 6,709,365; US 6,942,600; US D513,779; US 6,991,550; CA D109,228; CA D109,224; CA D109,225; CA 2,304,113; US 6,629,907; US D517,636; US D518,530; US D520,590; US 520,591; US D534,613; US 7,186,183; US 7,189,034; US 7,253,951; US D548,760; US 7,304,810; CA D109,227; CA D109,226; CA D112,355; CA D113,437; CA D113,442; CA D114,067; CA D114,068; CA 2,304,896; CA D119,674; US D573,222; US 7,419,437; CA 2,304,068; CA 2,488,576; US D580,507; US D585,570; CA 2,490,923; CA 2,304,341; US 7,594,875; CA 2,304,043; CA 2,529,276; CA 2,633,628; CA 633,056